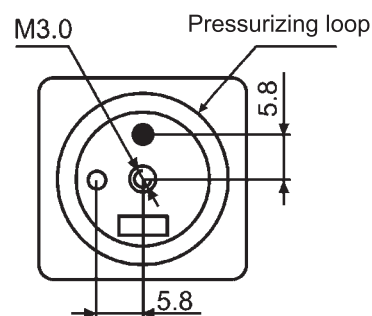
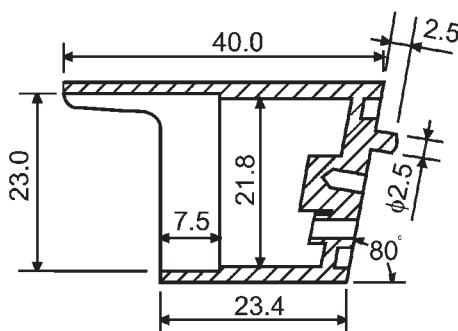
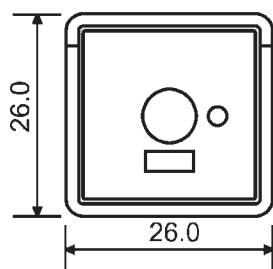




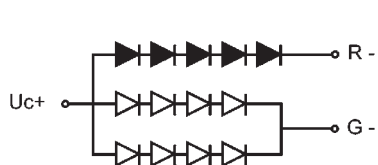
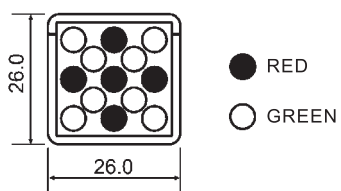
## PACKAGE DIMENSION

MCDLM-S26A Series

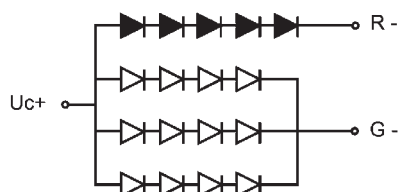
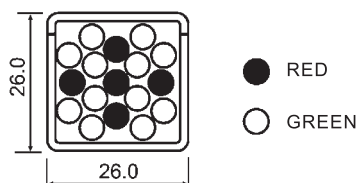


## INTERNAL CIRCUIT DIAGRAM

MCDLM-S26AR5G8



MCDLM-S26AR5G12



MCDLM-S26AR3G3B2

