

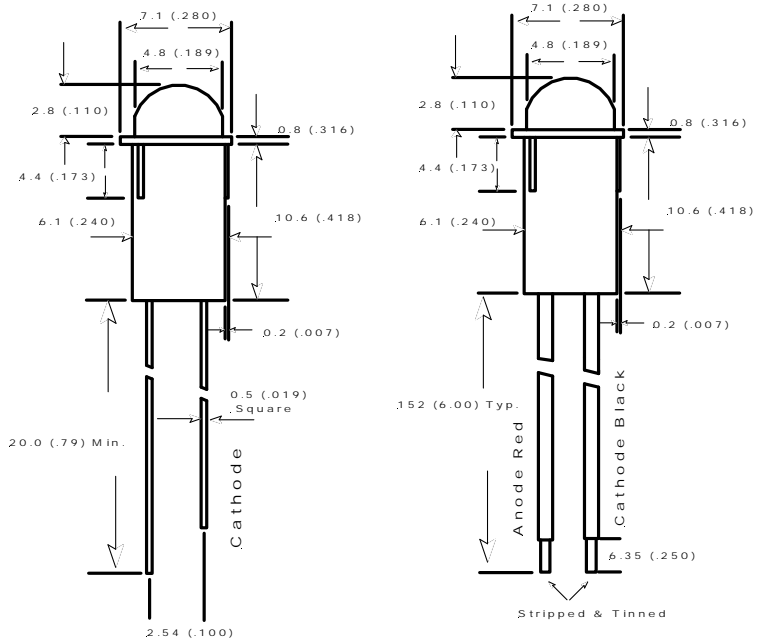


## MCDL-503XD/H504 (5MM PANEL 0.24" SNAP-IN INDICATOR)

**Lens Color:** Color Diffused  
**Dimension:** 5 mm  
**Housing:** 94V-0 Black Housing

Standard Leads

6" Wire Leads



**How to order:**

MCDL-503XD/H504 (color) -1-X (standard leads) or 2 (6" wire) -X (Voltage)

**Absolute Maximum Rating: (Ta=25°C)**

Parameter			Units
DC Forward Current	10		MA
Reverse Voltage	5		V
Power Dissipation	115		MW
Peak Forward Current, tw=1 msec. Duty = 1/20	180		MA
Operating Temperature	-40°	+80°	°C
Storage Temperature	-40°	+100°	°C
Solder DIP (5 seconds, 1.6mm from body) Temperature	260°	±5°	°C

**Electrical Characteristics At Ta= 25°C**

Part Number	Emitted Color	Wavelength λ PEAK nm	V <sub>F</sub> (V)								I <sub>v</sub> mcd			
			Forward Voltage								20 mA		2 mA	
			@ 20mA		L/C 2mA		Integrated Resistor				Standard 5V & 12V		Low Current	
			Standard	Low Current	5V		12V		Min	Typ	Min	Typ		
Typ	Max	Typ	Max	Typ	Max	Typ	Max	Typ	Max	Min	Typ	Min	Typ	
MCDL-503ED/H504	HER	635	2.1	3.0	1.8	2.2	5.0	7.0	12.0	15.0	13.9	23.2	1.6	2.6
MCDL-503GD/H504	Green	567	2.1	3.0	1.8	2.2	5.0	7.0	12.0	15.0	12.0	20.0	1.3	2.2
MCDL-503YD/H504	Yellow	620	2.1	3.0	1.8	2.2	5.0	7.0	12.0	15.0	9.8	16.4	1.1	1.8
MCDL-503AD/H504	Amber	610	2.1	3.0	*	*	5.0	7.0	12.0	15.0	13.9	23.2	*	*
MCDL-503EDE/H504	Orange	567	2.1	3.0	1.8	2.2	5.0	7.0	12.0	15.0	13.9	23.2	1.6	2.6
MCDL-503SRD/H504	S Red	660	1.7	2.2	*	*	5.0	7.0	12.0	15.0	180	300		
MCDL-503EGW/H504	HER	635	2.1	3.0	*	*	*	*	*	*	13.9	23.2	*	*
	Green	567	2.1	3.0	*	*	*	*	*	*	12.0	20.0	*	*

**Notes:**

- All Dimensions are in millimeters (inches).
- Tolerance is ± 0.25mm (0.010") unless otherwise specified.