



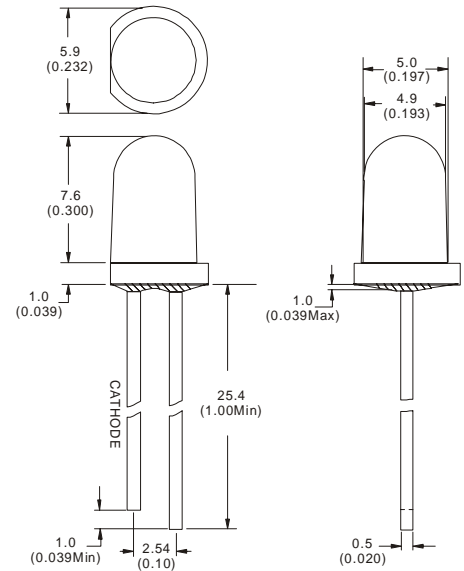
## MCDL-5013XX – TL series (Φ5MM ROUND TYPE) Ultra Brightness series

### Features:

- SMALL FLANGE WITHOUT STAND-OFF
- LONG LIFE-SOLID STATE RELIABILITY.
- LONG LEAD LENGTH (25.4mm).
- VERSATILE MOUNTING ON P.C. BOARD OR PANEL.

### Description:

- The shape of this series is round.
- General application is for indication, illumination, etc.
- These LED lamps are available with a choice of different colors, light intensities, epoxy colors, etc.



ABSOLUTE MAXIMUM RATING :( Ta=25°C )

Parameter			Unit
DC Forward Current	20		mA
Reverse Voltage	5		V
Reverse Current (Vr=5V)	10		μA
Peak Forward Current ,tw ,=1 msec Duty ,=1/20	180		mA
Operation Temperature	-40°	+80°	C
Storage Temperature	-40°	+100°	C
Solder Dip (5 seconds, 1.6mm from body )Temperature	260°	±5°	C

Part Number	EMITTED COLOR		Lens Color	Peak Wavelength (nm)	Vf (v) Typ	IV (If=20mA) mcd		Viewing Angle 2θ1/2
						Min.	Max.	
MCDL-5013UEC-TL	GaAlInP	Super Orange Red	Water Clear	625	2.0	4000	5000	18°
MCDL-5013UYC-TL	GaAlInP	Super Yellow	Water Clear	590	2.0	4000	5000	18°
MCDL-5013UYOC-TL	GaAlInP	Super Amber	Water Clear	610	2.0	4000	5000	18°
MCDL-5013UBC-TL	InGaN	Super Blue	Water Clear	470	3.5	3000	3500	18°
MCDL-5013BGC-TL	InGaN	Super Blue Green	Water Clear	505	3.5	6000	7500	18°
MCDL-5013PGC-TL	InGaN	Super pure Green	Water Clear	525	3.5	7000	9000	18°

### Notes:

- All Dimensions are in millimeters (inches).
- Tolerance is ± 0.25mm (0.010") unless otherwise specified.
- Lead spacing is measured where the leads emerge from the package.
- Specifications are subject to change without notice.