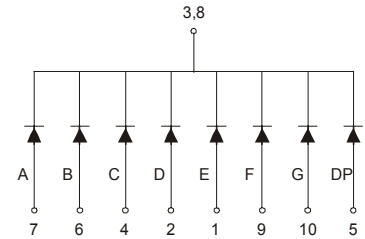
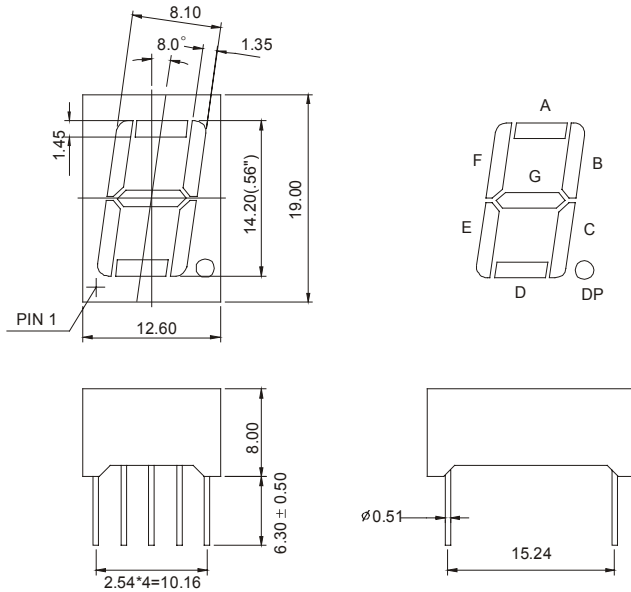




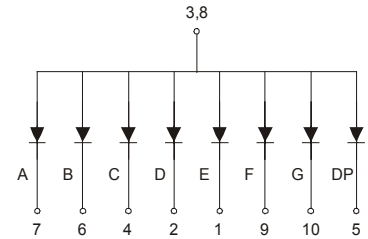
MCD-5611Ax-Bx (SINGLE DIGIT LED DISPLAY)

MCD-5611 Series

MCD-5611Ax



MCD-5611Bx



Features:

*0.56 INCH HIGH CHARACTER.

*EXCELLENT CHARACTER APPEARANCE.

*COMMON CATHODE OR COMMON ANODE.

*I.C. COMPATIBLE.

*LOW POWER CONSUMPTION.

| Part Number | EMITTED COLOR | | Common Cathode or Common Anode | Peak Wavelength (nm) | Vf (v) Typ | If (mA) | Intensity Per Segment (mcd) | |
|-------------|---------------|--------------|--------------------------------|----------------------|------------|---------|-----------------------------|------|
| | | | | | | | Min. | Typ. |
| MCD-5611AE | GaAsP/GaP | Hi.effi Red | Common Cathode | 635 | 2.0 | 20 | 9 | 12 |
| MCD-5611AG | GaP | Green | | 565 | 2.1 | 20 | 8 | 11 |
| MCD-5611AY | GaAsP/GaP | Yellow | | 585 | 2.0 | 20 | 9 | 12 |
| MCD-5611AS | GaAlAs | Super Red | | 660 | 1.8 | 20 | 10 | 13 |
| MCD-5611AD | GaAlAs | Ultra Red | | 660 | 1.8 | 20 | 25 | 30 |
| MCD-5611AUE | AlGalnP | Ultra Red | | 625 | 2.0 | 20 | 30 | 35 |
| MCD-5611AUY | AlGalnP | Ultra Yellow | | 590 | 2.0 | 20 | 30 | 35 |
| MCD-5611BE | GaAsP/GaP | Hi.effi Red | | Common Anode | 635 | 2.0 | 20 | 9 |
| MCD-5611BG | GaP | Green | 565 | | 2.1 | 20 | 8 | 11 |
| MCD-5611BY | GaAsP/GaP | Yellow | 585 | | 2.0 | 20 | 9 | 12 |
| MCD-5611BS | GaAlAs | Super Red | 660 | | 1.8 | 20 | 10 | 13 |
| MCD-5611BD | GaAlAs | Ultra Red | 660 | | 1.8 | 20 | 25 | 30 |
| MCD-5611BUE | AlGalnP | Ultra Red | 625 | | 2.0 | 20 | 30 | 35 |
| MCD-5611BUY | AlGalnP | Ultra Yellow | 590 | | 2.0 | 20 | 30 | 35 |