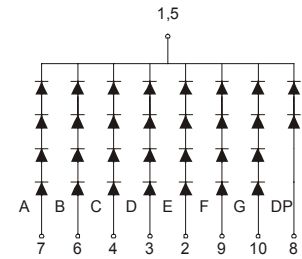
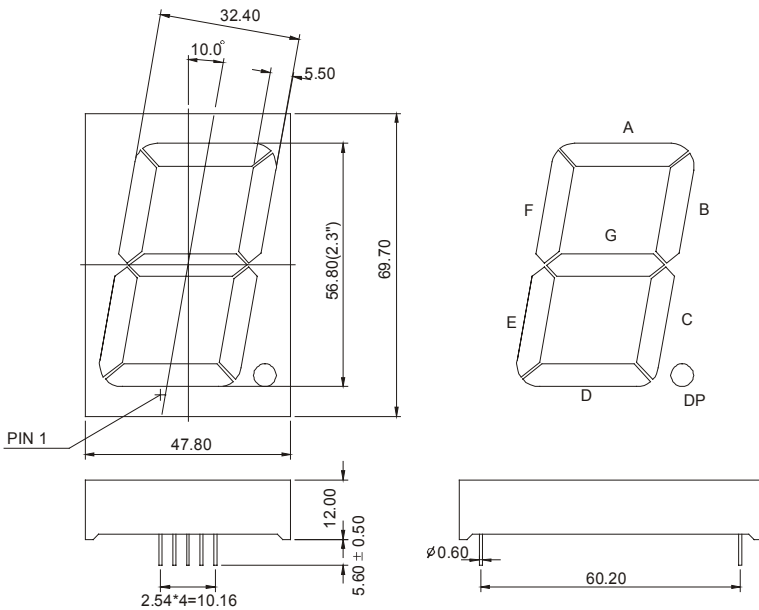




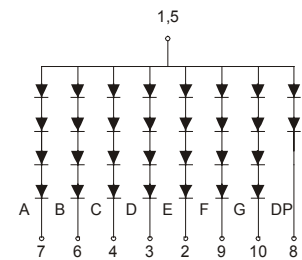
## MCD-23011Ax-Bx (SINGLE DIGIT LED DISPLAY)

### MCD-23011 Series

### MCD-23011Ax



### MCD-23011Bx



### Features:

\*2.3 INCH HIGH CHARACTER.

\*EXCELLENT CHARACTER APPEARANCE.

\*COMMON CATHODE OR COMMON ANODE.

\*I.C. COMPATIBLE

\*LOW POWER CONSUMPTION.

Part Number	EMITTED COLOR		Common Cathode or Common Anode	Peak Wavelength (nm)	Vf (v) Typ	If (mA)	Intensity Per Segment (mcd)	
							Min.	Typ.
MCD-23011AE	GaAsP/GaP	Hi. effi Red	Common Cathode	635	2.0	20	36	48
MCD-23011AG	GaP	Green		565	2.1	20	32	44
MCD-23011AY	GaAsP/GaP	Yellow		585	2.0	20	36	48
MCD-23011AS	GaAlAs	Super Red		660	1.8	20	40	52
MCD-23011AD	GaAlAs	Ultrs Red		660	1.8	20	100	120
MCD-23011AUE	AlGaInP	Ultra Red		625	2.0	20	120	140
MCD-23011AUY	AlGaInP	Ultra Yellow		590	2.0	20	120	140
MCD-23011BE	GaAsP/GaP	Hi. effi Red		Common Anode	635	2.0	20	36
MCD-23011BG	Gap	Green	565		2.1	20	32	44
MCD-23011BY	GaAsP/GaP	Yellow	585		2.0	20	36	48
MCD-23011BS	GaAlAs	Super Red	660		1.8	20	40	52
MCD-23011BD	GaAlAs	Ultrs Red	660		1.8	20	100	120
MCD-23011BUE	AlGaInP	Ultra Red	625		2.0	20	120	140
MCD-23011BUY	AlGaInP	Ultra Yellow	590		2.0	20	120	140