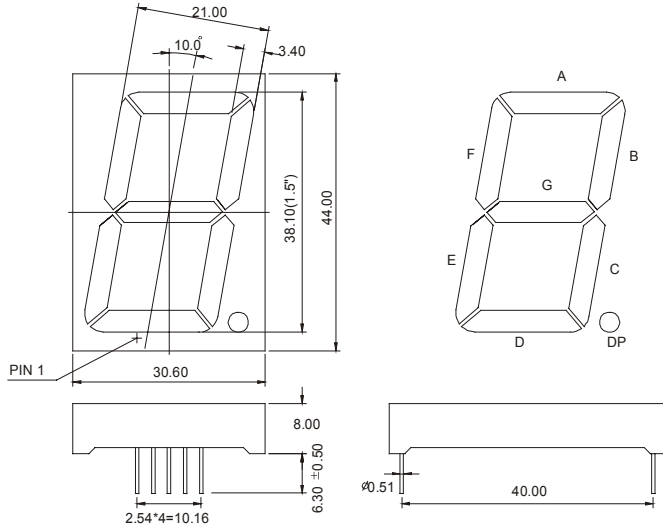


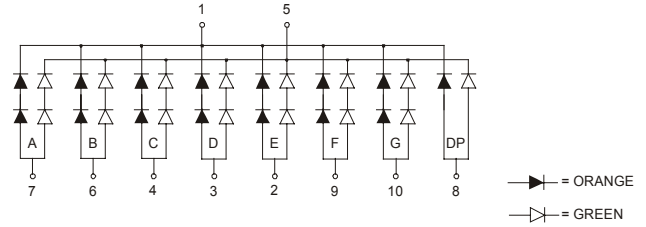


## MCD-15011Axx-Bxx (SINGLE DIGIT LED DISPLAY)

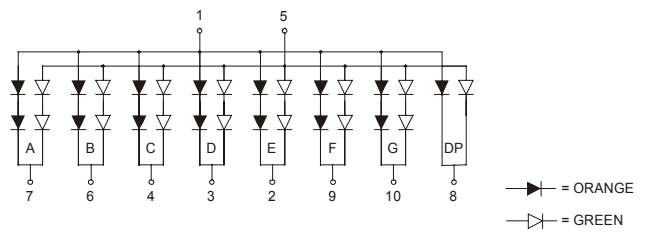
### MCD-15011 Series



### MCD 5011AEG



### MCD15011BEG



### Features:

\*1.5 INCH HIGH CHARACTER.

\*EXCELLENT CHARACTER APPEARANCE.

\*COMMON CATHODE OR COMMON ANODE.

\*I.C. COMPATIBLE

\*LOW POWER CONSUMPTION.

Part Number	EMITTED COLOR		Common Cathode or Common Anode	Peak Wavelength (nm)	Vf (v) Typ	If (mA)	Intensity Per Segment (mcd)		
							Min.	Typ.	
MCD-15011ASG	GaAlAs	Super Red	Common Cathode	660	1.8	20	20	26	
	Gap	Green		565	2.1	20	16	22	
MCD-15011AEG	GaAsP	Hi.effi Red		635	2.0	20	18	24	
	Gap	Green		565	2.1	20	16	22	
MCD-15011BSG	GaAlAs	Super Red		Common Anode	660	1.8	20	20	26
	Gap	Green			565	2.1	20	16	22
MCD-15011BEG	GaAsP	Hi.effi Red	635		2.0	20	18	24	
	Gap	Green	565		2.1	20	16	22	