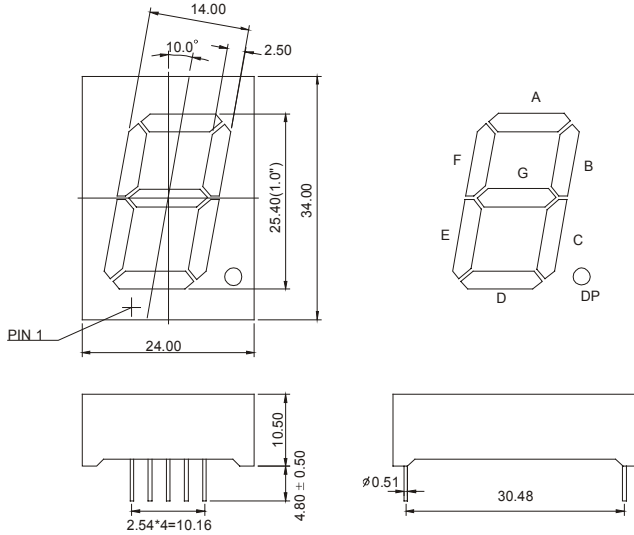


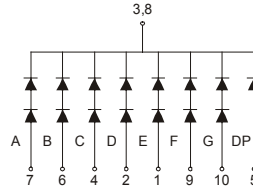


## MCD -10012Ax-Bx-Cx-Dx (SINGLE DIGIT LED DISPLAY)

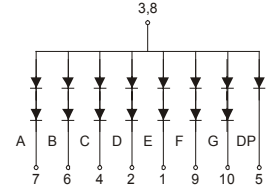
### MCD-10012 Series



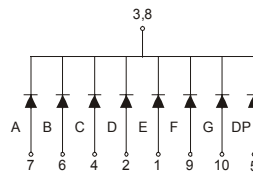
### MCD 10012Ax



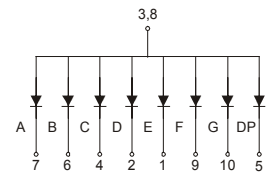
### MCD 10012Bx



### MCD-10012Cx



### MCD-10012Dx



### Features:

\*1.0 INCH HIGH CHARACTER.

\*EXCELLENT CHARACTER APPEARANCE.

\*COMMON CATHODE OR COMMON ANODE.

\*I.C. COMPATIBLE

\*LOW POWER CONSUMPTION.

Part Number	EMITTED COLOR		Common Cathode or Common Anode	Peak Wavelength (nm)	Vf (v) Typ	If (mA)	Intensity Per Segment (mcd)	
							Min.	Typ.
MCD-10012AE	GaAsP/GaP	Hi.effi Red	Common Cathode	635	2.0	20	18	24
MCD-10012AG	GaP	Green		565	2.1	20	16	22
MCD-10012AY	GaAsP/GaP	Yellow		585	2.0	20	18	24
MCD-10012AS	GaAlAs	Super Red		660	1.8	20	20	26
MCD-10012AD	GaAlAs	Ultrs Red		660	1.8	20	50	60
MCD-10012AUE	AlGalnP	Ultra Red		625	2.0	20	60	70
MCD-10012AUJ	AlGalnP	Ultra Yellow		590	2.0	20	60	70
MCD-10012BE	GaAsP/GaP	Hi.effi Red		Common Anode	635	2.0	20	18
MCD-10012BG	Gap	Green	565		2.1	20	16	22
MCD-10012BY	GaAsP/GaP	Yellow	585		2.0	20	18	24
MCD-10012BS	GaAlAs	Super Red	660		1.8	20	20	26
MCD-10012BD	GaAlAs	Ultrs Red	660		1.8	20	50	60
MCD-10012BUE	AlGalnP	Ultra Red	625		2.0	20	60	70
MCD-10012BUY	AlGalnP	Ultra Yellow	590		2.0	20	60	70