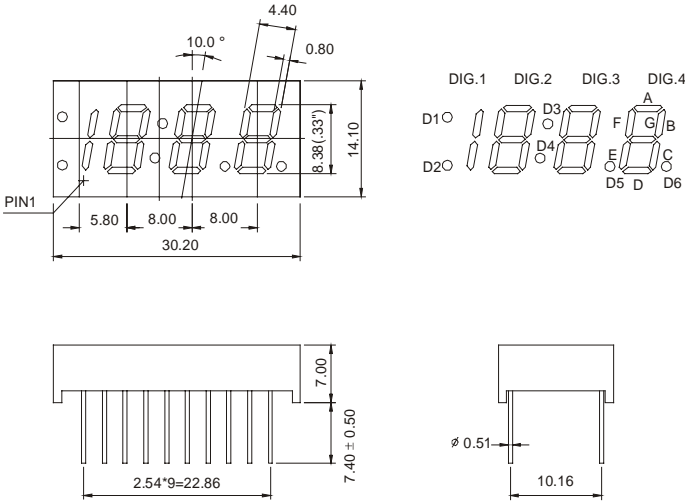


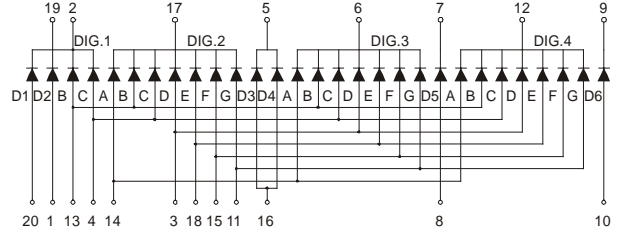


## 3341Ax-Bx (QUAD DIGIT LED DISPLAY)

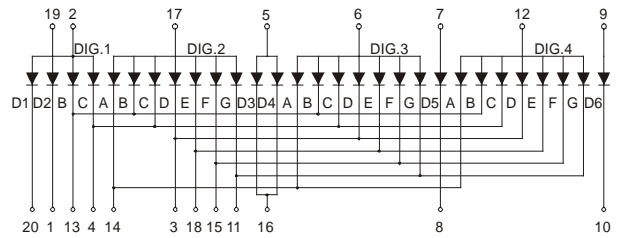
### 3341 Series



### 3341Ax



### 3341Bx



### Features:

\*0.33 INCH HIGH CHARACTER.

\*EXCELLENT CHARACTER APPEARANCE.

\*COMMON CATHODE OR COMMON ANODE.

\*I.C. COMPATIBLE.

\*LOW POWER CONSUMPTION.

Part Number	EMITTED COLOR		Common Cathode or Common Anode	Peak Wavelength (nm)	Vf (v) Typ	If (mA)	Intensity Per Segment (mcd)	
							Min.	Typ.
3341AE	GaAsP/GaP	Hi.effi Red	Common Cathode	635	2.0	20	9	12
3341AG	GaP	Green		565	2.1	20	8	11
3341AY	GaAsP/GaP	Yellow		585	2.0	20	9	12
3341AS	GaAlAs	Super Red		660	1.8	20	10	13
3341AD	GaAlAs	Ultra Red		660	1.8	20	25	30
3341AUE	AlGalnP	Ultra Red		625	2.0	20	30	35
3341AUY	AlGalnP	Ultra Yellow		590	2.0	20	30	35
3341BE	GaAsP/GaP	Hi.effi Red	Common Anode	635	2.0	20	9	12
3341BG	GaP	Green		565	2.1	20	8	11
3341BY	GaAsP/GaP	Yellow		585	2.0	20	9	12
3341BS	GaAlAs	Super Red		660	1.8	20	10	13
3341BD	GaAlAs	Ultra Red		660	1.8	20	25	30
3341BUE	AlGalnP	Ultra Red		625	2.0	20	30	35
3341BUY	AlGalnP	Ultra Yellow		590	2.0	20	30	35