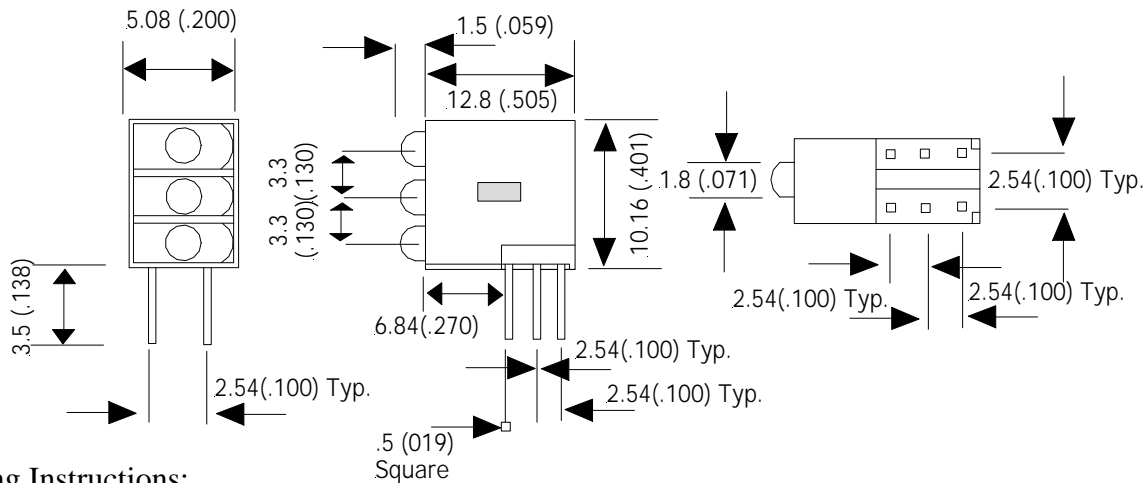




MCDLPL103XXX (1.8 mm 3 TRI-LEVEL)

Lens Color: **Color Diffused**
 Lens Dimension: **1.8 mm**
 Housing Material: **Black Nylon UL94V-2**



Ordering Instructions:

Combinations: MCDPL103-C C C (C= Color)

Single: MCDPL103-XC (X = Quan. C= Color)

Electrical Characteristics At Ta= 25°C

Part Number	Emitted Color	Wave length	Viewing Angle 2θ	I _F		I _V (I _F = 20mA) mcd	
	Color	λ PEAK	Degrees	Typ	Max	Min	Typ
MCDLPL103-3RX	Bright Red	695	45	2.2	2.8	1.2	2.0
MCDLPL103-3HX	HER	635	45	2.0	2.8	7.0	11.7
MCDLPL103-3GX	Green	570	45	2.2	2.8	5.9	9.9
MCDLPL103-3YX	Yellow	590	45	2.1	2.8	5.0	8.3
MCDLPL103-3AX	Amber	610	45	2.1	2.8	7.0	11.7
MCDLPL103-3OX	Orange	635	45	2.0	2.8	7.0	11.7

Notes:

- All Dimensions are in millimeters (inches).
- Tolerance is ± 0.25mm (0.010") unless otherwise specified.
- Lead spacing is measured where the leads emerge from the package.
- Specifications are subject to change without notice.