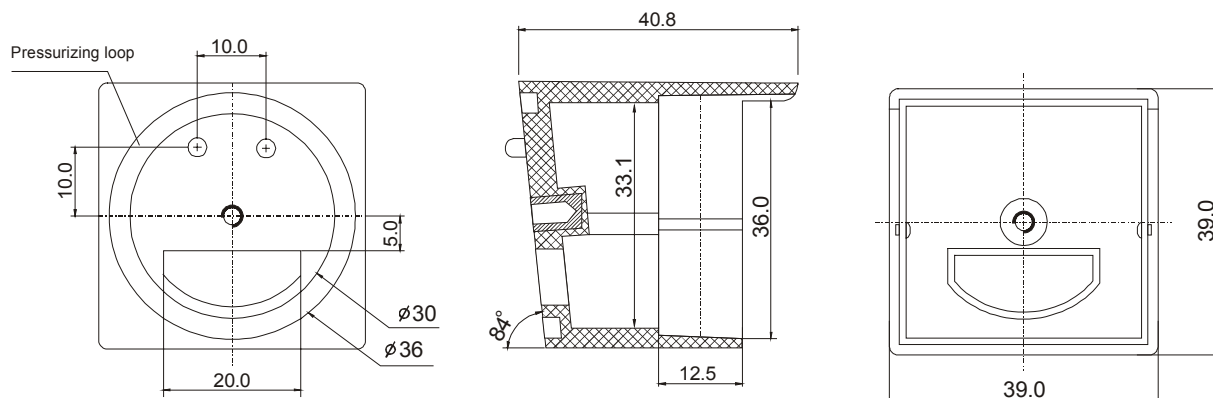




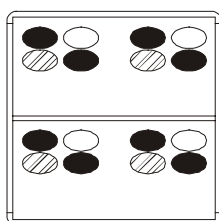
PACKAGE DIMENSION

MCDLM-S39A Series



INTERNAL CIRCUIT DIAGRAM

MCDLM-S39AR2G1B1



- RED
- GREEN
- BLUE

