

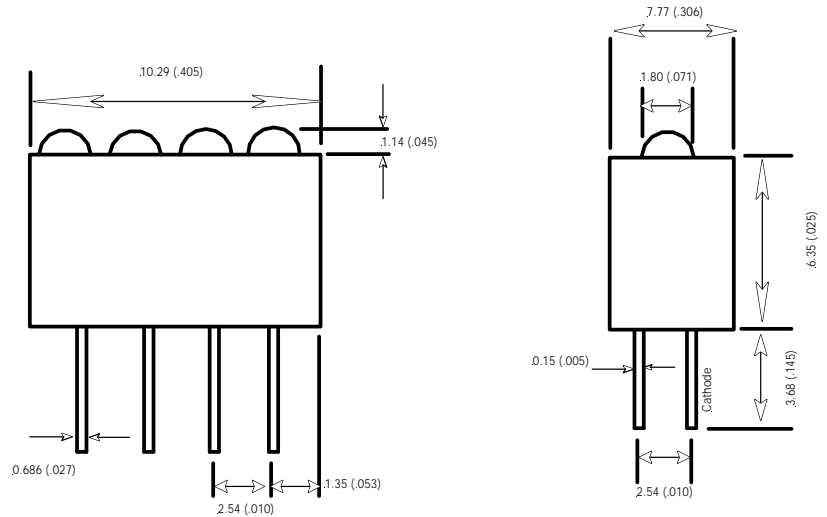


MCDL-180XX/NG4 (2 MM QUAD PCB)

Lens Color: Color Diffused

Lens Dimension: 1.8 mm

Housing: 94V-0 Black Housing, Polyphthalamide (PPA)



Absolute Maximum Rating: (Ta=25°C)

Parameter		Units
DC Forward Current	10	MA
Reverse Voltage	5	V
Power Dissipation	115	MW
Peak Forward Current, tw=1 msec. Duty = 1/20	180	MA
Operating Temperature	-40°	+80° °C
Storage Temperature	-40°	+100° °C
Solder DIP (5 seconds, 1.6mm from body) Temperature	260°	±5° °C

Electrical Characteristics At Ta= 25°C

Part Number	Emitted Color		Lens Color	Wave Length	Pd	I _F		V _F (V)			Viewing Angle 2θ	I _V (I _F = 20mA) mcd	
	Chip	Color				λ PEAK	Mw	mA	mA	Min		Typ	Max
MCDL-180EC/NF4	GaAsP/GaP	Red	Water Clear	625	105	20	160	1.6	2.0	2.5	30	20	100
MCDL-180ED/NF4	GaAsP/GaP	Red	Red Diff.	625	105	20	160	1.6	2.0	2.5	60	6	20
MCDL-180LRC/N4F	GaAlAs	Red	Water Clear	660	100	20	150	1.6	1.85	2.5	30	200	1,000
MCDL-180LRD/NF4	GaAlAs	Red	Red Diff.	660	100	20	150	1.6	1.85	2.5	60	30	100
MCDL-180GC/NF4	GaP	Green	Water Clear	565	105	20	150	1.6	2.2	2.5	30	20	70
MCDL-180GD/NF4	GaP	Green	Grn Diff.	565	105	20	150	1.6	2.2	2.5	60	3.2	12.5
MCDL-180YC/NF4	GaAsP/GaP	Yellow	Water Clear	590	105	20	150	1.6	2.1	2.5	30	20	70
MCDL-180YD/NF4	GaAsP/GaP	Yellow	Yel Diff.	590	105	20	150	1.6	2.1	2.5	60	3.2	12.5

* Peak Forward Current, tw = 1 msec. Duty = 1/10

*Custom color combinations available upon request.

Notes:

1. All Dimensions are in millimeters (inches).
2. Tolerance is ± 0.25mm (0.010") unless otherwise specified.
3. Specifications are subject to change without notice.