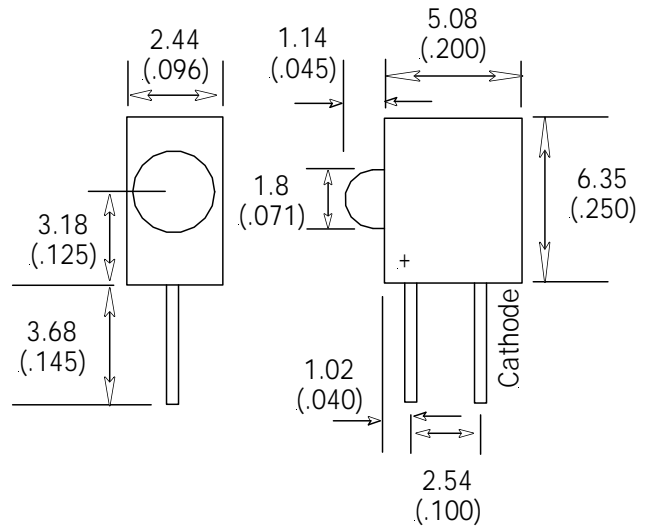




MCDL-180XD/NH1 (1.8 MM PCB SIDE VIEW)

Lens Color: See Below
Lens Dimension: 1.8 mm
Housing: 94V-0 Black Housing, Polyphthalamide (PPA)



Absolute Maximum Rating: (Ta=25°C)

Parameter			Units
Reverse Voltage	5		V
Peak Forward Current, tw=1 msec. Duty = 1/20	150		MA
Operating Temperature	-40°	+85°	°C
Storage Temperature	-40°	+85°	°C
Solder DIP (5 seconds, 1.6mm from body) Temperature	260°	±5°	°C

Electrical Characteristics At Ta= 25°C

Part Number	Emitted Color		Lens Color	Wave Length	Pd	I _F			V _F (V)			Viewing Angle 2θ	I _V (I _F = 20mA)	
	Chip	Color				λ PEAK	Mw	mA	mA	Min	Typ		Max	Degrees
MCDL-180ET/NH1	GaAsP/GaP	Red	Red Transp.	625	105	20	160	1.6	2.0	2.5	30	20	100	
MCDL-180EC/NH1	GaAsP/GaP	Red	Water Clear	625	105	20	160	1.6	2.0	2.5	30	20	100	
MCDL-180ED/NH1	GaAsP/GaP	Red	Red Diff.	625	105	20	160	1.6	2.0	2.5	60	6	20	
MCDL-180LRT/NH1	GaAlAs	Red	Red Transp.	660	100	20	150	1.6	1.85	2.5	30	200	1,000	
MCDL-180LRC/NH1	GaAlAs	Red	Water Clear	660	100	20	150	1.6	1.85	2.5	30	200	1,000	
MCDL-180LRD/NH1	GaAlAs	Red	Red Diff.	660	100	20	150	1.6	1.85	2.5	60	30	100	
MCDL-180GT/NH1	GaP	Green	Grn Transp	565	105	20	150	1.6	2.2	2.5	30	20	70	
MCDL-180GC/NH1	GaP	Green	Water Clear	565	105	20	150	1.6	2.2	2.5	30	20	70	
MCDL-180GD/NH1	GaP	Green	Grn Diff.	565	105	20	150	1.6	2.2	2.5	60	3.2	12.5	
MCDL-180YT/NH1	GaAsP/GaP	Yellow	Yel Transp	590	105	20	150	1.6	2.1	2.5	30	20	70	
MCDL-180YC/NH1	GaAsP/GaP	Yellow	Water Clear	590	105	20	150	1.6	2.1	2.5	30	20	70	
MCDL-180YD/NH1	GaAsP/GaP	Yellow	Yel Diff.	590	105	20	150	1.6	2.1	2.5	60	3.2	12.5	

* Peak Forward Current, tw =1 msec. Duty = 1/10

Notes:

- All Dimensions are in millimeters (inches).
- Tolerance is ± 0.25mm (0.010") unless otherwise specified.
- Specifications are subject to change without notice.