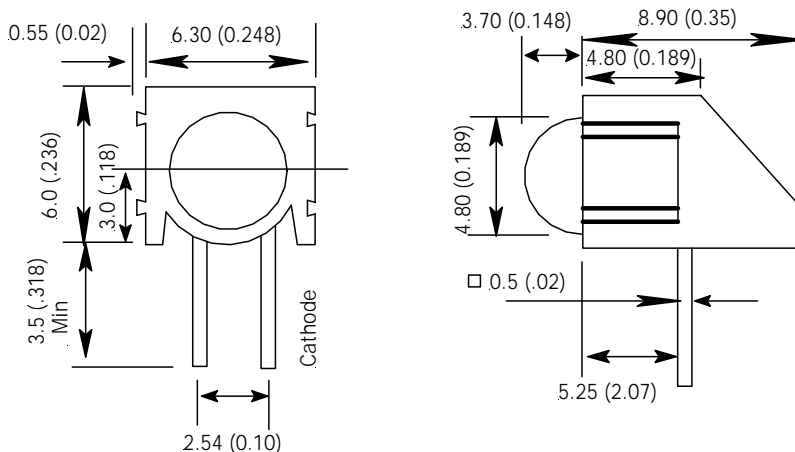




MCDL-503XD/VD1 (4.8 MM INTERLOCKING PCB)

Lens Color: **Color Diffused**
 Lens Dimension: **4.8 mm**
 Housing: **94V-0 Black Housing, Polyphthalamide (PPA)**



Parameter			Units
DC Forward Current	10		MA
Reverse Voltage	5		V
Power Dissipation	115		MW
Peak Forward Current, $t_w=1$ msec. Duty = 1/20	180		MA
Operating Temperature	-40°	+80°	°C
Storage Temperature	-40°	+100°	°C
Solder DIP (5 seconds, 1.6mm from body) Temperature	260°	±5°	°C

Electrical Characteristics At $T_a= 25^\circ\text{C}$

Part Number	Emitted Color		Wavelength λ PEAK	I_F Peak		V_F (V)			Viewing Angle 2 θ Degrees	I_v ($I_F = 20\text{mA}$) mcd	
	Chip	Color		mA	mA	Min	Typ	Max		Min	Typ
MCDL-503GD/VD1	GaP	Green	565	30	160	1.7	2.1	2.8	120	10.0	20.0
MCDL-503YD/VD1	GaAsP/GaP	Yellow	590	30	160	1.7	2.0	2.8	120	10.0	20.0
MCDL-503ED/VD1	GaAsP/GaP	Red	625	30	160	1.7	2.1	2.8	120	12.5	30.0
MCDL-503SRD/VD1	GaAlAs	Super Red	660	20	160	1.6	1.8	2.1	120	100	200

Notes:

- All Dimensions are in millimeters (inches).
- Tolerance is $\pm 0.25\text{mm}$ ($0.010''$) unless otherwise specified.
- Lead spacing is measured where the leads emerge from the package.
- Specifications are subject to change without notice.