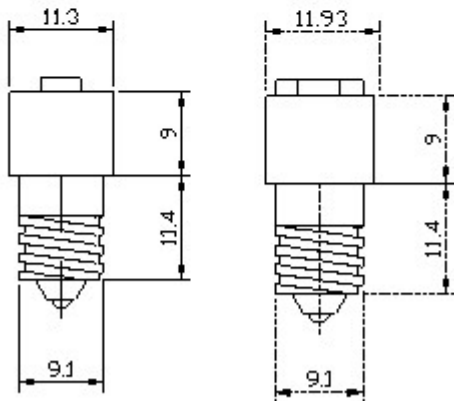




Product

T10 BP E10 Based LED BULB



One or Three 5mm Flat Top LEDs

FEATURES:

- Long life LED-operating 50,000hrs
- Easy installation using existing socket
- Major power savings
- Voltage: 6VDC 12VDC 24VDC option
- Choice of 5 colors
- Lamp base: E10 based

LED LAMP DATA

P/N	LED Color	Voltage	Intensity (lm)	Wavelength (nm)	Viewing Angle
T10 -BP-E10-L1FUEC	1 Ultra Red	6/12/24VDC	1.5	625	120°
T10-BP-E10-L3FUEC	3 Ultra Red	6/12/24VDC	4.5	625	120°
T10-BP-E10-L1FUYC	1 Ultra Yellow	6/12/24VDC	1.5	590	120°
T10-BP-E10-L3FUYC	3 Ultra Yellow	6/12/24VDC	4.5	590	120°
T10-BP-E10-L1FUBC	1 Ultra Blue	6/12/24VDC	1.2	470	120°
T10-BP-E10-L3FUBC	3 Ultra Blue	6/12/24VDC	3.6	470	120°
T10-BP-E10-L1FUGC	1 Ultra Green	6/12/24VDC	2.2	520	120°
T10-BP-E10-L3FUGC	3 Ultra Green	6/12/24VDC	6.6	520	120°
T10-BP-E10-L1FUWC	1 Cool White	6/12/24VDC	2.1	5500k-7000k	120°
T10-BP-E10-L3FUWC	3 Cool White	6/12/24VDC	6.3	5500k-7000k	120°