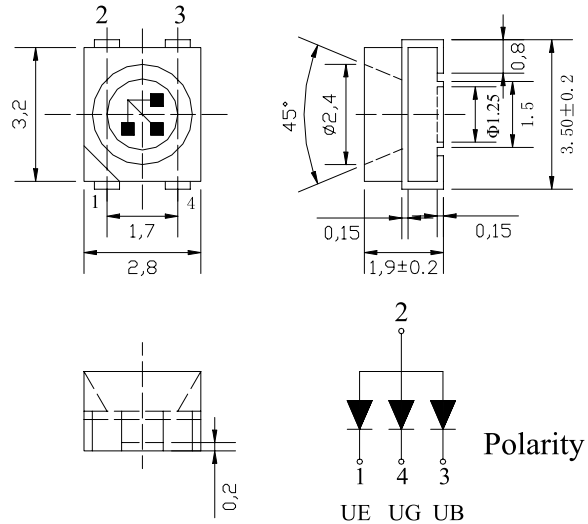




1210UEUGUB (3.2X2.8mm TOP TYPE) Ultra Brightness LED

ABSOLUTE MAXIMUM RATING:(Ta=25°C)

Parameter	UE	UG	UB	Unit
DC Forward Current	25	25	25	mA
Reverse Voltage	5	6	6	V
Reverse Current (Vr=5V)	10	10	10	µA
Peak Forward Current ,tw ,=1 msec Duty ,=1/20	80	60	60	mA
Operation Temperature	-30—85			°C
Storage Temperature	-40—100			°C
Solder Dip (5 seconds,1.6mm from body) Temperature	260	260	260	°C



	Parameter	Symbol	Min.	Typ.	Max.	Unit	Test Condition
UE (Red)	Luminous Intensity	I_v	80	120	--	mcd	$I_F = 20\text{mA}$
	Forward Voltage	VF	--	2.0	2.5	V	$I_F = 20\text{mA}$
	Reverse Current	IR	--		10	uA	$V_R = 5\text{V}$
	Dominant Wavelength	λ_d	--	625	--	nm	$I_F = 20\text{mA}$
	Spectral Line Half Width	$\Delta \lambda$	--	30	--	nm	$I_F = 20\text{mA}$
UG (Green)	Luminous Intensity	I_v	150	200	--	mcd	$I_F = 20\text{mA}$
	Forward Voltage	VF	--	3.2	3.8	V	$I_F = 20\text{mA}$
	Reverse Current	IR	--		10	uA	$V_R = 5\text{V}$
	Dominant Wavelength	λ_d	--	525	--	nm	$I_F = 20\text{mA}$
	Spectral Line Half Width	$\Delta \lambda$	--	15	--	nm	$I_F = 20\text{mA}$
UB (Blue)	Luminous Intensity	I_v	60	75	--	mcd	$I_F = 20\text{mA}$
	Forward Voltage	VF	--	3.3	3.8	V	$I_F = 20\text{mA}$
	Reverse Current	IR	--		10	uA	$V_R = 5\text{V}$
	Dominant Wavelength	λ_d	--	470	--	nm	$I_F = 20\text{mA}$
	Spectral Line Half Width	$\Delta \lambda$	--	15	--	nm	$I_F = 20\text{mA}$
Viewing Angle		$2\theta_{1/2}$	--	120	--	Deg.	$I_F = 20\text{mA}$