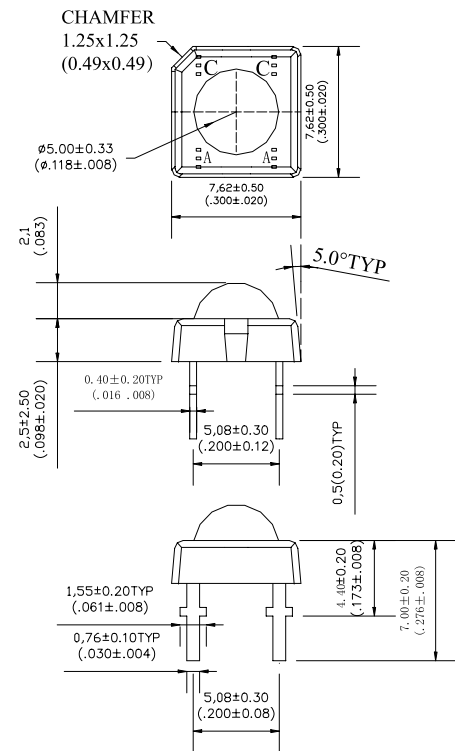




## MCD-1880xx (7.62x7.62) PIRANHA TYPE Flux LED Lamp

ABSOLUTE MAXIMUM RATING:(Ta=25°C)

Parameter			Unit
DC Forward Current	40		mA
Reverse Voltage	5		V
Reverse Current (Vr=5V)	10		µA
Peak Forward Current ,tw ,=1 msec Duty ,=1/20	180		mA
Operation Temperature	-40	+80	°C
Storage Temperature	-40	+100	°C
Solder Dip (5 seconds, 1.6mm from body ) Temperature	300	±5	°C



Part Number	EMITTED COLOR		Lens Color	Peak Wavelength (nm)	Vf (v) Typ.	IV (If=20mA) mcd		View Angle 2 θ 1/2
						Min.	Typ.	
MCD-1880UEC	AlGaInP	Orange Red	Water Clear	625	2.0	400	500	70°
MCD-1880URC	GaAlAs	Pure Red	Water Clear	660	1.9	250	350	45°
MCD-1880UYC	AlGaInP	Yellow	Water Clear	590	2.0	450	550	70°
MCD-1880UEC-TL	AlGaInP	Orange Red	Water Clear	625	2.0	800	1000	70°
MCD-1880UYC-TL	AlGaInP	Yellow	Water Clear	590	2.0	700	800	80°
MCD-1880UYOC-TL	AlGaInP	Amber	Water Clear	610	2.0	1100	1300	70°
MCD-1880UBC	InGaN	Blue	Water Clear	470	3.5	600	800	70°
MCD-1880BGC	InGaN	Cyan	Water Clear	505	3.5	1100	1300	70°
MCD-1880PGC	InGaN	Pure Green	Water Clear	525	3.5	1400	1600	60°
MCD-1880UBC-TL	InGaN	Blue	Water Clear	470	3.5	800	900	70°
MCD-1880BGC-TL	InGaN	Cyan	Water Clear	505	3.5	900	1100	70°
MCD-1880PGC-TL	InGaN	Pure Green	Water Clear	525	3.5	1600	1700	75°
MCD-1880UWC	InGaN	Ultra White	Water Clear	5500K-7000K	3.5	1300	1500	70°
MCD-1880UWC-15C	InGaN	Ultra White	Water Clear	5500K-7000K	3.5	2100	2300	70°