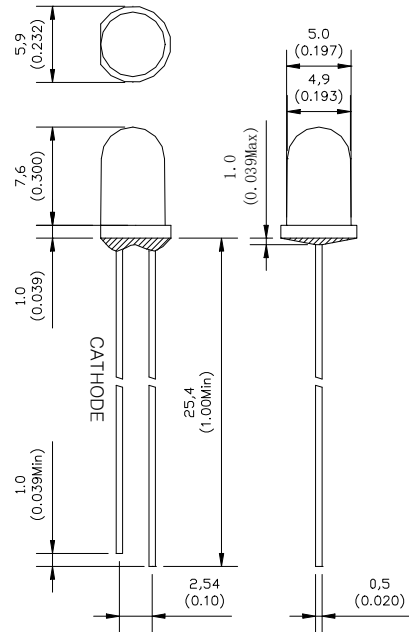




## MCDL-5013xx -H (Φ 5mm ROUND TYPE) Ultra Bright

ABSOLUTE MAXIMUM RATING:(Ta=25°C)

Parameter			Unit
DC Forward Current	30		mA
Reverse Voltage	5		V
Reverse Current (Vr=5V)	10		μA
Peak Forward Current ,tw ,=1 msec Duty ,=1 20	150		mA
Operation Temperature	-40	+80	°C
Storage Temperature	-40	+100	°C
Solder Dip (5 seconds, 1.6mm from body ) Temperature	300	±5	°C



### Feature:

- 1.Small flange without stand-off on the lead
- 2.Long life-solid state reliability
- 3.Long lead length (25.4mm)
- 4.Versatile mounting on P.C. board or panel

### Description:

- 1.The shape of this series is round
2. General application is for indicator, illumination, etc.
- 3.These LED lamps are available in a choice of different colors.

Part Number	EMITTED COLOR		Lens Color	Peak Wavelength (nm)	Vf (v) Typ.	IV (If=20mA) mcd		View Angle 2 θ 1/2
						Min.	Typ.	
MCDL-5013UEC-TL-H	AlGaInP	Super Orange Red	Water Clear	620-630	2.0	5000	7000	15-20°
MCDL-5013UYC-TL-H	AlGaInP	Super Yellow	Water Clear	592-596	2.0	4500	6800	15-20°
MCDL-5013UYOC-TL-H	AlGaInP	Super Amber	Water Clear	608-613	2.0	5000	7500	15-20°
MCDL-5013UBC-TL-H	InGaN	Super Blue	Water Clear	465-470	3.5	5500	7800	15-20°
MCDL-5013PGC-TL-H	InGaN	Super Pure Green	Water Clear	520-525	3.5	18000	23000	15-20°
MCDL-5013BGC-TL-H	InGaN	Super Blue Green	Water Clear	500-510	3.5	18000	23000	15-20°