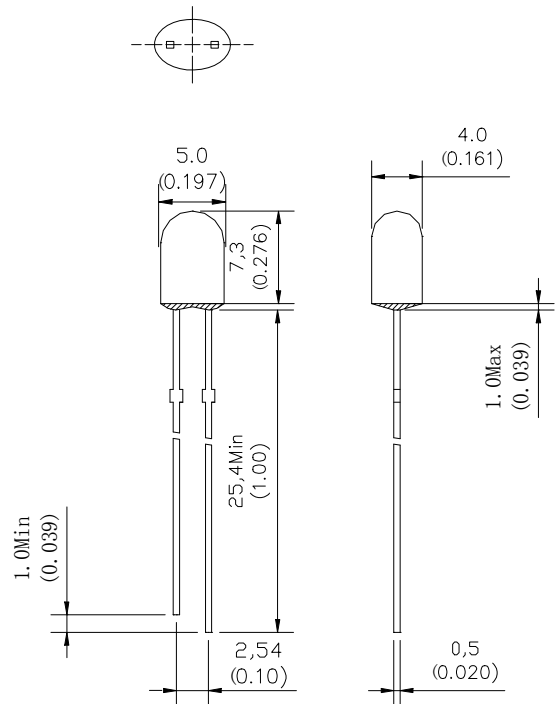




## MCDL-5464xx (Φ 5mm OVAL TYPE) Ultra Brightness series

ABSOLUTE MAXIMUM RATING:(Ta=25°C)

Parameter			Unit
DC Forward Current	30		mA
Reverse Voltage	5		V
Reverse Current (Vr=5V)	10		μA
Peak Forward Current ,tw ,=1 msec Duty ,=1/20	150		mA
Operation Temperature	-40	+80	°C
Storage Temperature	-40	+100	°C
Solder Dip (5 seconds, 1.6mm from body ) Temperature	300	±5	°C



### Feature:

- 1.Small flange without stand-off
- 2.Long life-solid state reliability
- 3.Long lead length(25.4mm)
- 4.Versatile mounting on P.C. board or panel

### Description:

- 1.The shape of this series is round
- 2.General application is for indication,illumination,etc.
- 3.These LED lamps are available with a choice of defferent colors,light intensities,epoxy colors,etc.

Part Number	EMITTED COLOR		Lens Color	Peak Wavelength (nm)	Vf (v) Typ.	IV (If=20mA) mcd		View Angle 2 θ 1/2
						Min.	Typ.	
MCDL-5464URC	GaAlAs	Super Red	Water Clear	660	1.9	250	350	65° /40°
MCDL-5464UEC	AlGaInP	Super Red	Water Clear	625	2.0	450	550	65° /40°
MCDL-5464UYC	AlGaInP	Super Yellow	Water Clear	590	2.0	450	550	65° /40°
MCDL-5464UBC	InGaN	Super Blue	Water Clear	470	3.5	1300	1700	65° /40°
MCDL-5464PGC	InGaN	Pure Green	Water Clear	525	3.5	2000	2500	55° /35°
MCDL-5464BGC	InGaN	Super Cyan	Water Clear	505	3.5	1800	2200	55° /35°
MCDL-5464UGC	AlGaInP	Yellow Green	Water Clear	572	2.0	400	500	55° /35°
MCDL-5464UEC-TL	AlGaInP	Ultra Super Red	Water Clear	625	2.0	700	900	65° /40°
MCDL-5464UYC-TL	AlGaInP	Ultra Super Yellow	Water Clear	590	2.0	900	1100	65° /40°
MCDL-5464UBC-TL	InGaN	Ultra Super Blue	Water Clear	470	3.5	1800	2200	55° /35°
MCDL-5464PGC-TL	InGaN	Ultra Super Green	Water Clear	525	3.5	2800	3200	55° /35°
MCDL-5464UWC-15C	InGaN	Ultra Super White	Water Clear	5500K-7000K	3.5	2500	3000	55° /35°