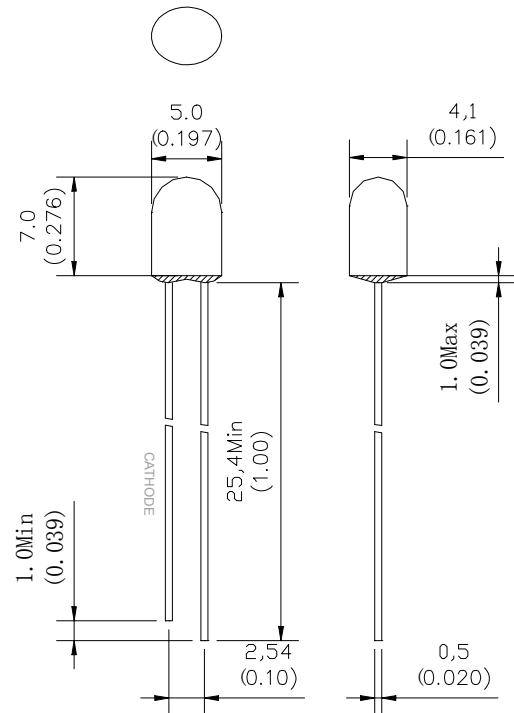




## MCDL-5063xx (Φ 5mm OVAL TYPE) Ultra Brightness series

ABSOLUTE MAXIMUM RATING:(Ta=25°C)

| Parameter   |     |      | Unit |
|---|-----|------|------|
| DC Forward Current                                      | 30  |      | mA   |
| Reverse Voltage   | 5   |      | V    |
| Reverse Current (Vr=5V)                                 | 10  |      | μA   |
| Peak Forward Current ,tw ,=1 msec Duty ,=1/20           | 150 |      | mA   |
| Operation Temperature                                   | -40 | +80  | °C   |
| Storage Temperature                                     | -40 | +100 | °C   |
| Solder Dip<br>(5 seconds, 1.6mm from body ) Temperature | 300 | ±5   | °C   |



### Feature:

- 1.Small flange without stand-off
- 2.Long life-solid state reliability
- 3.Long lead length(25.4mm)
- 4.Versatile mounting on P.C. board or panel

### Description:

- 1.The shape of this series is round
- 2.General application is for indication,illumination,etc.
- 3.These LED lamps are available with a choice of defferent colors,light intensities,epoxy colors,etc.

| Part Number     | EMITTED COLOR |                   | Lens Color  | Peak Wavelength (nm) | Vf (v) Typ. | IV (If=20mA) mcd |      | View Angle 2 θ 1/2 |
|-----------------|---------------|-------------------|-------------|----------------------|-------------|------------------|------|--------------------|
|                 |               |                   |             |                      |             | Min.             | Typ. |                    |
| MCDL-5063URC    | GaAlAs        | Super Red         | Water Clear | 660                  | 1.9         | 500              | 600  | 40°/60°            |
| MCDL-5063UEC    | AlGaInP       | Super Red         | Water Clear | 625                  | 2.0         | 950              | 1050 | 40°/60°            |
| MCDL-5063UYC    | AlGaInP       | Super Yellow      | Water Clear | 590                  | 2.0         | 1000             | 1200 | 40°/60°            |
| MCDL-5063UBC    | InGaN         | Super Blue        | Water Clear | 470                  | 3.5         | 1800             | 2200 | 30°/50°            |
| MCDL-5063PGC    | InGaN         | Pure Green        | Water Clear | 525                  | 3.5         | 4500             | 5500 | 30°/50°            |
| MCDL-5063BGC    | InGaN         | Super Cyan        | Water Clear | 505                  | 3.5         | 3000             | 4000 | 30°/50°            |
| MCDL-5063UGC    | AlGaInP       | Yellow Green      | Water Clear | 572                  | 2.0         | 900              | 1000 | 30°/50°            |
| MCDL-5063UEC-TL | AlGaInP       | Ultra Super Red   | Water Clear | 625                  | 2.0         | 1300             | 1500 | 40°/60°            |
| MCDL-5063UYC-TL | AlGaInP       | UltraSuper Yellow | Water Clear | 590                  | 2.0         | 2000             | 2400 | 40°/60°            |
| MCDL-5063UBC-TL | InGaN         | Ultra Super Blue  | Water Clear | 470                  | 3.5         | 2500             | 3200 | 30°/50°            |
| MCDL-5063PGC-TL | InGaN         | UltraSuper Green  | Water Clear | 525                  | 3.5         | 6000             | 7000 | 30°/50°            |