



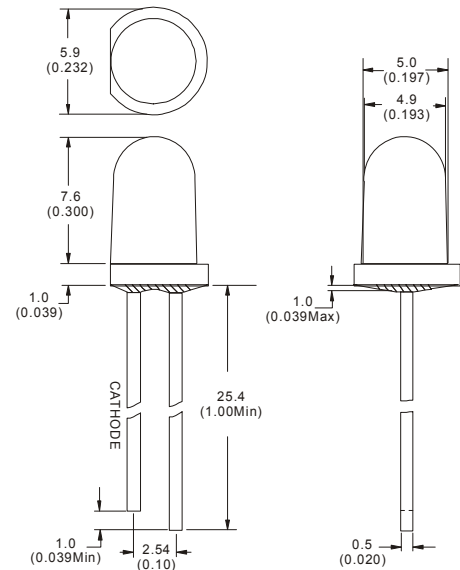
MCDL-5013XC (Φ5MM ROUND TYPE) Ultra Brightness series

Features:

- SMALL FLANGE WITHOUT STAND-OFF
- LONG LIFE-SOLID STATE RELIABILITY.
- LONG LEAD LENGTH (25.4mm).
- VERSATILE MOUNTING ON P.C. BOARD OR PANEL.

Description:

- The shape of this series is round.
- General application is for indication, illumination, etc.
- These LED lamps are available with a choice of different colors, light intensities, epoxy colors, etc.



ABSOLUTE MAXIMUM RATING :(Ta=25°)

Parameter			Unit
DC Forward Current	20		mA
Reverse Voltage	5		V
Reverse Current (Vr=5V)	10		μA
Peak Forward Current ,tw ,=1 msec Duty ,=1/20	180		mA
Operation Temperature	-40°	+80°	°C
Storage Temperature	-40°	+100°	°C
Solder Dip (5 seconds,1.6mm from body)Temperature	260°	±5°	°C

Part Number	EMITTED COLOR		Lens Color	Peak Wavelength (nm)	Vf (v) Typ	IV (If=20mA) mcd		Viewing Angle 2θ1/2
						Min.	Max.	
MCDL-5013SRC	GaAlAs	Super Red	Water Clear	660	1.8	250	400	22°
MCDL-5013LRC	GaAlAs	Super Red	Water Clear	660	1.8	600	800	22°
MCDL-5013URC	GaAlAs	Super Red	Water Clear	660	1.8	1200	2000	22°
MCDL-5013UEC	GaAlInP	Super Orange Red	Water Clear	625	2.0	1500	2200	22°
MCDL-5013UGC	GaAlInP	Super Green	Water Clear	572	2.0	600	900	22°
MCDL-5013UYC	GaAlInP	Super Yellow	Water Clear	590	2.0	1400	2000	22°
MCDL-5013BC	InGaN	Super Blue	Water Clear	470	3.5	800	1200	22°
MCDL-5013UBC	InGaN	Super Blue	Water Clear	470	3.5	1000	1800	22°
MCDL-5013BGC	InGaN	Super Bluish Green	Water Clear	505	3.5	3000	5000	22°
MCDL-5013PGC	InGaN	Super pure Green	Water Clear	525	3.5	3000	5000	22°
MCDL-5013VC	InGaN	Super Violet	Water Clear	385~395	3.5	150	300	20°

Notes:

1. All Dimensions are in millimeters (inches).
2. Tolerance is ± 0.25mm (0.010") unless otherwise specified.
3. Protruded resin under flange is 1.5mm (0.059") max.
4. Lead spacing is measured where the leads emerge from the package.
5. Specifications are subject to change without notice.