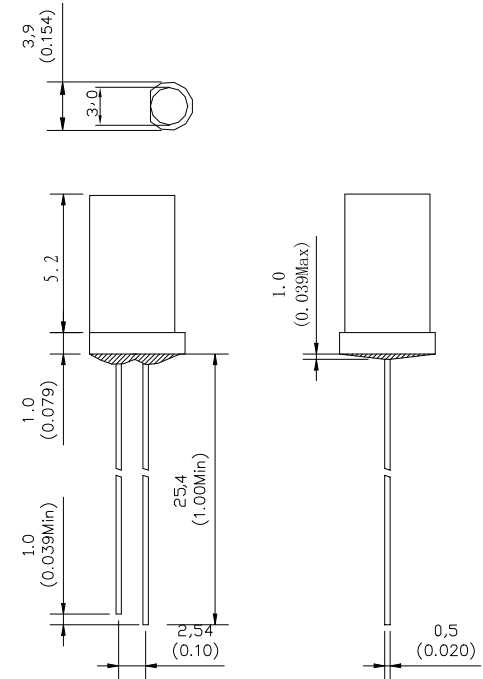




MCD-3034xx (Φ 3mm ROUND TYPE) Standard Brightness

ABSOLUTE MAXIMUM RATING:(Ta=25°C)

| Parameter | | | Uni |
|--|-----|------|-----|
| DC Forward Current | 30 | | mA |
| Reverse Voltage | 5 | | V |
| Reverse Current (Vr=5V) | 10 | | μA |
| Peak Forward Current ,tw ,=1 msec Duty ,=1/20 | 150 | | mA |
| Operation Temperature | -40 | +80 | °C |
| Storage Temperature | -40 | +100 | °C |
| Solder Dip (5 seconds,1.6mm from body) Temperature | 300 | ±5 | °C |



Feature:

- 1.Small flange without stand-off
- 2.Long life-solid state reliability
- 3.Long lead length(25.4mm)
- 4.Versatile mounting on P.C. board or panel

Description:

- 1.The shape of this series is round
- 2.General application is for indication,illumination,etc.
- 3.These LED lamps are available with a choice of defferent colors,light intensities,epoxy colors,etc.

| Part Number | EMITTED COLOR | | Lens Color | Peak Wavelength (nm) | Vf (v) Typ. | IV (If=20mA) mcd | | View Angle 2 θ 1/2 |
|----------------|---------------|------------|-------------|----------------------|-------------|------------------|------|--------------------|
| | | | | | | Min. | Typ. | |
| MCD-3034UWC | InGaN | White | Water Clear | 5500K-7500K | 3.3 | 400 | 500 | 100° |
| MCD-3034UWC-Y | InGaN | White | Water Clear | 2700K-3500K | 3.3 | 850 | 950 | 110° |
| MCD-3034UEC | AlGaInP | Orange red | Water Clear | 625 | 2.1 | 100 | 150 | 115° |
| MCD-3034UEC-TL | AlGaInP | Orange red | Water Clear | 625 | 2.1 | 300 | 400 | 115° |
| MCD-3034UYC | AlGaInP | Yellow | Water Clear | 590 | 2.1 | 200 | 250 | 120° |
| MCD-3034UYC-TL | AlGaInP | Yellow | Water Clear | 590 | 2.1 | 350 | 500 | 110° |