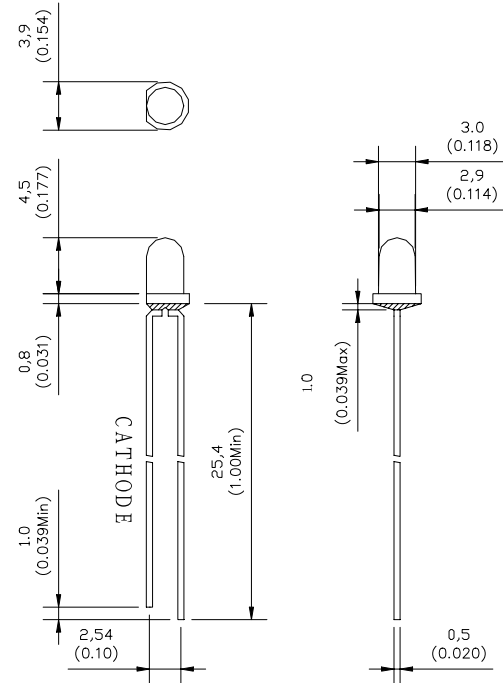




MCD-3014xx (Φ 3mm ROUND TYPE) Ultra Brightness

ABSOLUTE MAXIMUM RATING:(Ta=25°C)

| Parameter | | | Unit |
|---|-----|------|------|
| DC Forward Current | 30 | | mA |
| Reverse Voltage | 5 | | V |
| Reverse Current (Vr=5V) | 10 | | μA |
| Peak Forward Current ,tw ,=1 msec Duty ,=1/20 | 150 | | mA |
| Operation Temperature | -40 | +80 | °C |
| Storage Temperature | -40 | +100 | °C |
| Solder Dip (5 seconds, 1.6mm from body) Temperature | 300 | ±5 | °C |



| Part Number | EMITTED COLOR | | Lens Color | Peak Wavelength (nm) | Vf (v) Typ. | IV (If=20mA) mcd | | View Angle 2 θ 1/2 |
|----------------|---------------|--------------------|-----------------|----------------------|-------------|------------------|-------|--------------------|
| | | | | | | Min. | Typ. | |
| MCD-3014SRD | GaAlAs | Super Red | Red Diffused | 660 | 1.9 | 70 | 100 | 60° |
| MCD-3014SRT | GaAlAs | Super Red | Red Transparent | 660 | 1.9 | 150 | 200 | 25° |
| MCD-3014SRC | GaAlAs | Super Red | Water Clear | 660 | 1.9 | 150 | 200 | 25° |
| MCD-3014LRC | GaAlAs | Super Red | Water Clear | 660 | 1.9 | 200 | 300 | 25° |
| MCD-3014URC | GaAlAs | Super Red | Water Clear | 660 | 1.9 | 700 | 1000 | 20° |
| MCD-3014UEC | AlGaInP | Super Orange | Water Clear | 625 | 2.0 | 1200 | 1500 | 25° |
| MCD-3014UGC | AlGaInP | Yellow Green | Water Clear | 572 | 2.0 | 800 | 1200 | 25° |
| MCD-3014GC | GaP | Green | Water Clear | 565 | 2.0 | 30 | 40 | 25° |
| MCD-3014YC | GaAsP | Yellow | Water Clear | 588 | 2.0 | 30 | 40 | 25° |
| MCD-3014UYC | AlGaInP | Super Yellow | Water Clear | 589 | 2.0 | 800 | 1000 | 25° |
| MCD-3014BC | InGaN | Super Blue | Water Clear | 470 | 3.5 | 1000 | 1500 | 25° |
| MCD-3014UBC | InGaN | Ultra Super Blue | Water Clear | 470 | 3.5 | 2000 | 3000 | 25° |
| MCD-3014BGC | InGaN | Super Bluish Green | Water Clear | 505 | 3.5 | 4500 | 6000 | 30° |
| MCD-3014PGC | InGaN | Super Pure Green | Water Clear | 525 | 3.5 | 6000 | 8000 | 25° |
| MCD-3014UWC | InGaN | Ultra Super White | Water Clear | 5500K-7000K | 3.5 | 3500 | 4500 | 25° |
| MCD-3014VC | InGaN | Super Violet | Water Clear | 400 | 3.5 | 50 | 100 | 25° |
| MCD-3014BC-1 | InGaN | Super Blue | Water Clear | 470 | 3.5 | 3500 | 4500 | 20° |
| MCD-3014PGC-TL | InGaN | Super Pure Green | Water Clear | 525 | 3.5 | 8500 | 10000 | 30° |
| MCD-3014UBD-TL | InGaN | Ultra Super Blue | Color Diffused | 470 | 3.5 | 1500 | 2000 | 30° |