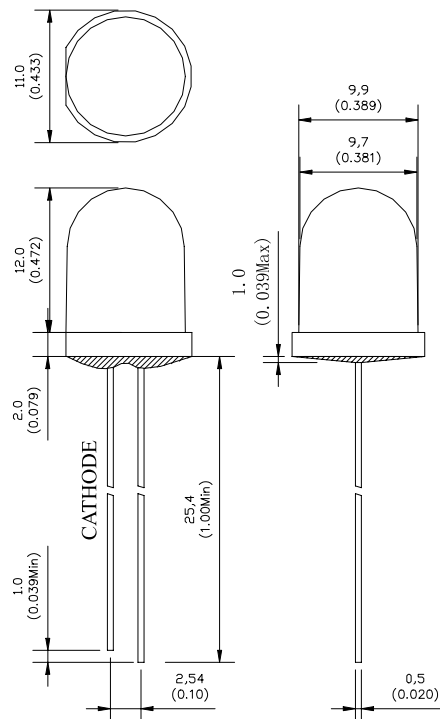




MCD-10003xx (Φ 10mm ROUND TYPE) Ultra Brightness

ABSOLUTE MAXIMUM RATING:(Ta=25°C)

Parameter			Unit
DC Forward Current	30		mA
Reverse Voltage	5		V
Reverse Current (Vr=5V)	10		μA
Peak Forward Current ,tw =1 msec Duty =1/20	150		mA
Operation Temperature	-40	+80	°C
Storage Temperature	-40	+100	°C
Solder Dip (5 seconds,1.6mm from body) Temperature	300	±5	°C



Part Number	EMITTED COLOR		Lens Color	Peak Wavelength (nm)	Vf (v) Typ.	IV (If=20mA) mcd		View Angle 2 θ 1/2
						Min.	Typ.	
MCD-10003SRD	GaAlAs	Super Red	Red Diffused	660	1.9	50	80	45°
MCD-10003LRD	GaAlAs	Super Red	Red Diffused	660	1.9	60	100	45°
MCD-10003SRT	GaAlAs	Super Red	Red Transparent	660	1.9	250	400	20°
MCD-10003SRC	GaAlAs	Super Red	Water Clear	660	1.9	300	500	30°
MCD-10003LRC	GaAlAs	Super Red	Water Clear	660	1.9	200	400	20°
MCD-10003URC	GaAlAs	Super Red	Water Clear	660	1.9	1000	1500	20°
MCD-10003UEC	AlGaInP	Super Orange	Water Clear	625	2.0	1500	2000	20°
MCD-10003GC	GaP	Green	Water Clear	565	2.0	40	50	20°
MCD-10003UGC	AlGaInP	Yellow Green	Water Clear	572	2.0	1400	1600	25°
MCD-10003YC	GaAsP	Yellow	Water Clear	585	2.0	40	50	20°
MCD-10003UYC	AlGaInP	Super Yellow	Water Clear	589	2.0	1200	1800	20°
MCD-10003BC	InGaN	Super Blue	Water Clear	470	3.5	2000	3000	20°
MCD-10003UBC	InGaN	Ultra Super Blue	Water Clear	470	3.5	3000	4000	15°
MCD-10003BGC	InGaN	Super Bluish Green	Water Clear	505	3.5	9000	10000	20°
MCD-10003PGC	InGaN	Super Pure Green	Water Clear	525	3.5	9000	11000	20°
MCD-10003PGC-1	InGaN	Super Pure Green	Water Clear	525	3.5	7000	10000	15°
MCD-10003UWC	InGaN	Ultra Super White	Water Clear	5500K-7000K	3.5	8000	9000	20°
MCD-10003VC	InGaN	Super Violet	Water Clear	400	3.5	100	300	20°