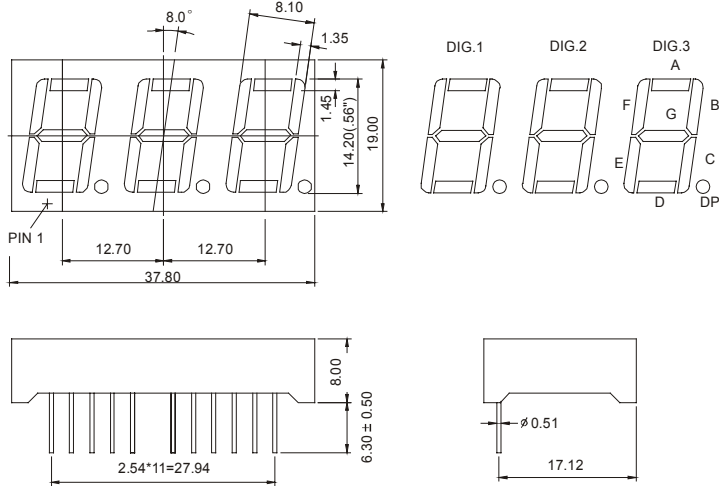


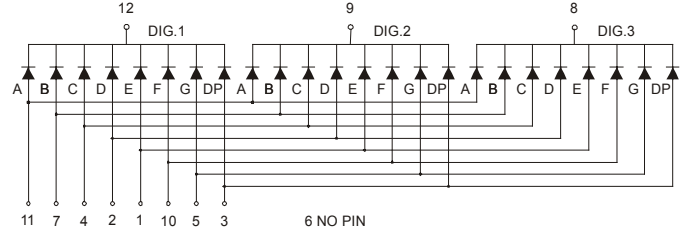


## MCD-5631Gx-Hx (TRIPLE DIGIT LED DISPLAY)

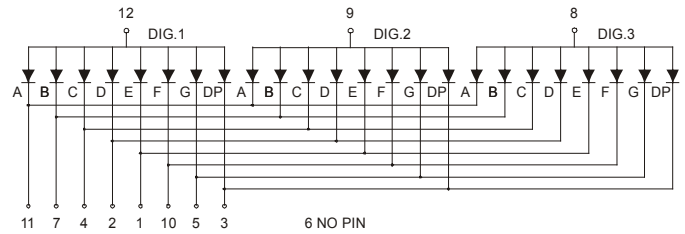
### MCD-5631 Series



### MCD-5631Gx



### MCD-5631Hx



### Features:

\*0.56 INCH HIGH CHARACTER.

\*EXCELLENT CHARACTER APPEARANCE.

\*COMMON CATHODE OR COMMON ANODE.

\*I.C. COMPATIBLE.

\*LOW POWER CONSUMPTION.

Part Number	EMITTED COLOR		Common Cathode or Common Anode	Peak Wavelength (nm)	Vf (v) Typ	If (mA)	Intensity Per Segment (mcd)	
							Min.	Typ.
MCD 5631GE	GaAsP/GaP	Hi.effi Red	Common Cathode	635	2.0	20	9	12
MCD 5631GG	GaP	Green		565	2.1	20	8	11
MCD 5631GY	GaAsP/GaP	Yellow		585	2.0	20	9	12
MCD 5631GS	GaAlAs	Super Red		660	1.8	20	10	13
MCD 5631GD	GaAlAs	Ultra Red		660	1.8	20	25	30
MCD 5631GUE	AlGaInP	Ultra Red		625	2.0	20	30	35
MCD 5631GUY	AlGaInP	Ultra Yellow		590	2.0	20	30	35
MCD-5631HE	GaAsP/GaP	Hi.effi Red	Common Anode	635	2.0	20	9	12
MCD 5631HG	GaP	Green		565	2.1	20	8	11
MCD 5631HY	GaAsP/GaP	Yellow		585	2.0	20	9	12
MCD 5631HS	GaAlAs	Super Red		660	1.8	20	10	13
MCD 5631HD	GaAlAs	Ultra Red		660	1.8	20	25	30
MCD 5631HUE	AlGaInP	Ultra Red		625	2.0	20	30	35
MCD 5631HUY	AlGaInP	Ultra Yellow		590	2.0	20	30	35