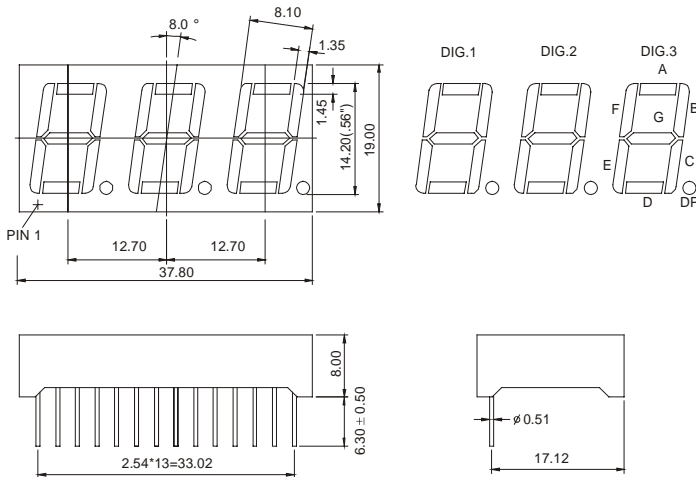


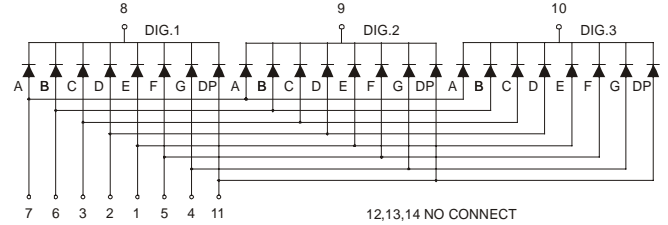


## MCD-5631Ex-Fx (TRIPLE DIGIT LED DISPLAY)

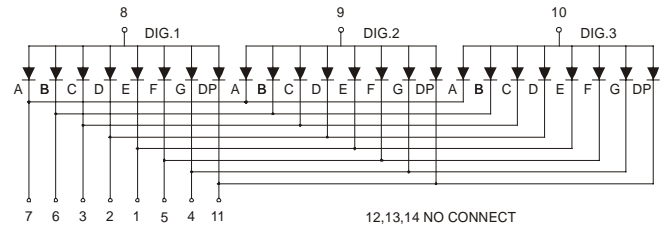
### MCD-5631 Series



### MCD-5631Ex



### MCD-5631Fx



### Features:

\*0.56 INCH HIGH CHARACTER.

\*EXCELLENT CHARACTER APPEARANCE.

\*COMMON CATHODE OR COMMON ANODE.

\*I.C. COMPATIBLE.

\*LOW POWER CONSUMPTION.

Part Number	EMITTED COLOR		Common Cathode or Common Anode	Peak Wavelength (nm)	Vf (v) Typ	If (mA)	Intensity Per Segment (mcd)	
							Min.	Typ.
MCD-5631EE	GaAsP/GaP	Hi. effi Red	Common Cathode	635	2.0	20	9	12
MCD-5631EG	GaP	Green		565	2.1	20	8	11
MCD-5631EY	GaAsP/GaP	Yellow		585	2.0	20	9	12
MCD-5631ES	GaAlAs	Super Red		660	1.8	20	10	13
MCD-5631ED	GaAlAs	Ultra Red		660	1.8	20	25	30
MCD-5631EUE	AlGaInP	Ultra Red		625	2.0	20	30	35
MCD-5631EU Y	AlGaInP	Ultra Yellow		590	2.0	20	30	35
MCD-5631FE	GaAsP/GaP	Hi. effi Red	Common Anode	635	2.0	20	9	12
MCD-5631FG	GaP	Green		565	2.1	20	8	11
MCD-5631FY	GaAsP/GaP	Yellow		585	2.0	20	9	12
MCD-5631FS	GaAlAs	Super Red		660	1.8	20	10	13
MCD-5631FD	GaAlAs	Ultra Red		660	1.8	20	25	30
MCD-5631FUE	AlGaInP	Ultra Red		625	2.0	20	30	35
MCD-5631FUY	AlGaInP	Ultra Yellow		590	2.0	20	30	35