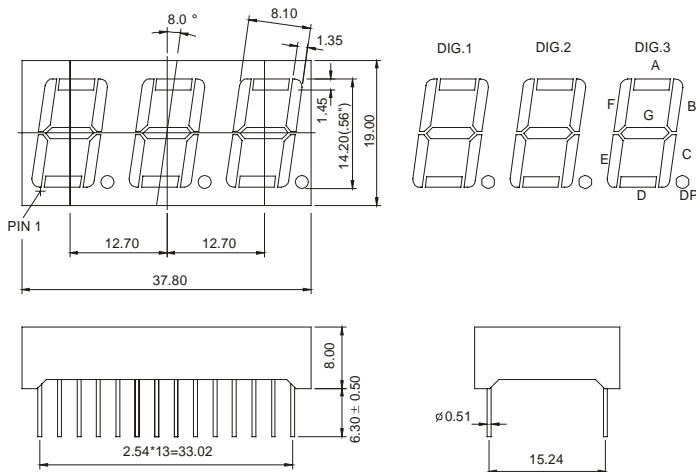


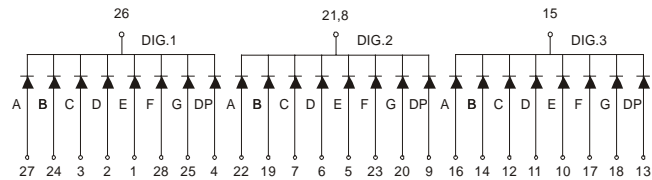


## MCD-5631Cx-Dx (TRIPLE DIGIT LED DISPLAY)

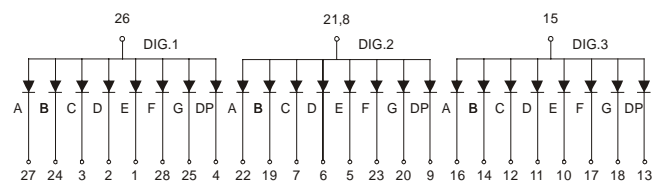
### MCD-5631 Series



### MCD-5631Cx



### MCD-5631Dx



### Features:

\*0.56 INCH HIGH CHARACTER.

\*EXCELLENT CHARACTER APPEARANCE.

\*COMMON CATHODE OR COMMON ANODE.

\*I.C. COMPATIBLE.

\*LOW POWER CONSUMPTION.

Part Number	EMITTED COLOR		Common Cathode or Common Anode	Peak Wavelength (nm)	Vf (v) Typ	If (mA)	Intensity Per Segment (mcd)	
							Min.	Typ.
MCD-5631CE	GaAsP/GaP	Hi. effi Red	Common Cathode	635	2.0	20	9	12
MCD-5631CG	GaP	Green		565	2.1	20	8	11
MCD-5631CY	GaAsP/GaP	Yellow		585	2.0	20	9	12
MCD-5631CS	GaAlAs	Super Red		660	1.8	20	10	13
MCD-5631CD	GaAlAs	Ultra Red		660	1.8	20	25	30
MCD-5631CUE	AlGaInP	Ultra Red		625	2.0	20	30	35
MCD-5631CUY	AlGaInP	Ultra Yellow		590	2.0	20	30	35
MCD-5631DE	GaAsP/GaP	Hi. effi Red	Common Anode	635	2.0	20	9	12
MCD-5631DG	GaP	Green		565	2.1	20	8	11
MCD-5631DY	GaAsP/GaP	Yellow		585	2.0	20	9	12
MCD-5631DS	GaAlAs	Super Red		660	1.8	20	10	13
MCD-5631DD	GaAlAs	Ultra Red		660	1.8	20	25	30
MCD-5631DUE	AlGaInP	Ultra Red		625	2.0	20	30	35
MCD-5631DUY	AlGaInP	Ultra Yellow		590	2.0	20	30	35