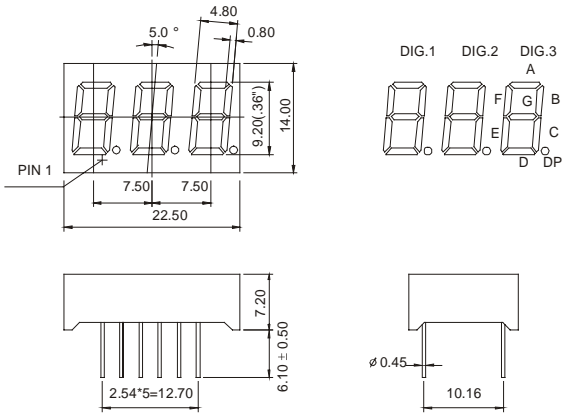


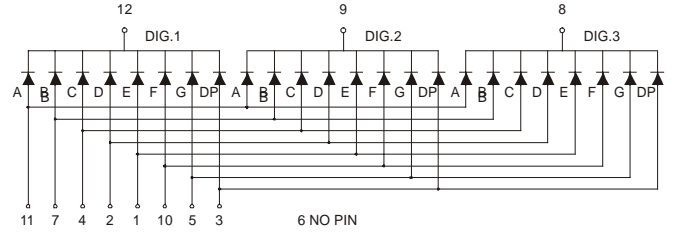


MCD-3631Ax-Bx (TRIPLE DIGIT LED DISPLAY)

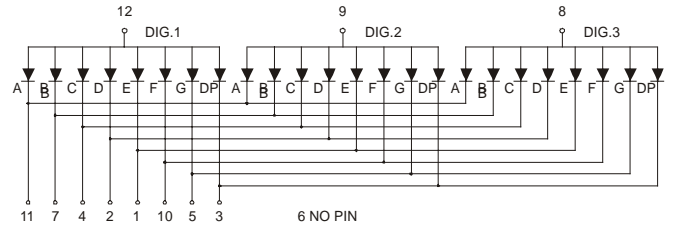
MCD-3631 Series



MCD-3631Ax



MCD-3631Bx



Features:

*0.36 INCH HIGH CHARACTER.

*EXCELLENT CHARACTER APPEARANCE.

*COMMON CATHODE OR COMMON ANODE.

*I.C. COMPATIBLE.

*LOW POWER CONSUMPTION.

| Part Number | EMITTED COLOR | | Common Cathode or Common Anode | Peak Wavelength (nm) | Vf (v) Typ | If (mA) | Intensity Per Segment (mcd) | |
|-------------|---------------|--------------|--------------------------------|----------------------|------------|---------|-----------------------------|------|
| | | | | | | | Min. | Typ. |
| MCD-3631AE | GaAsP/GaP | Hi. effi Red | Common Cathode | 635 | 2.0 | 20 | 9 | 12 |
| MCD-3631AG | GaP | Green | | 565 | 2.1 | 20 | 8 | 11 |
| MCD-3631AY | GaAsP/GaP | Yellow | | 585 | 2.0 | 20 | 9 | 12 |
| MCD-3631AS | GaAlAs | Super Red | | 660 | 1.8 | 20 | 10 | 13 |
| MCD-3631AD | GaAlAs | Ultra Red | | 660 | 1.8 | 20 | 25 | 30 |
| MCD-3631AUE | AlGaInP | Ultra Red | | 625 | 2.0 | 20 | 30 | 35 |
| MCD-3631AUY | AlGaInP | Ultra Yellow | | 590 | 2.0 | 20 | 30 | 35 |
| MCD-3631BE | GaAsP/GaP | Hi. effi Red | Common Anode | 635 | 2.0 | 20 | 9 | 12 |
| MCD-3631BG | GaP | Green | | 565 | 2.1 | 20 | 8 | 11 |
| MCD-3631BY | GaAsP/GaP | Yellow | | 585 | 2.0 | 20 | 9 | 12 |
| MCD-3631BS | GaAlAs | Super Red | | 660 | 1.8 | 20 | 10 | 13 |
| MCD-3631BD | GaAlAs | Ultra Red | | 660 | 1.8 | 20 | 25 | 30 |
| MCD-3631BUE | AlGaInP | Ultra Red | | 625 | 2.0 | 20 | 30 | 35 |
| MCD-3631BUY | AlGaInP | Ultra Yellow | | 590 | 2.0 | 20 | 30 | 35 |