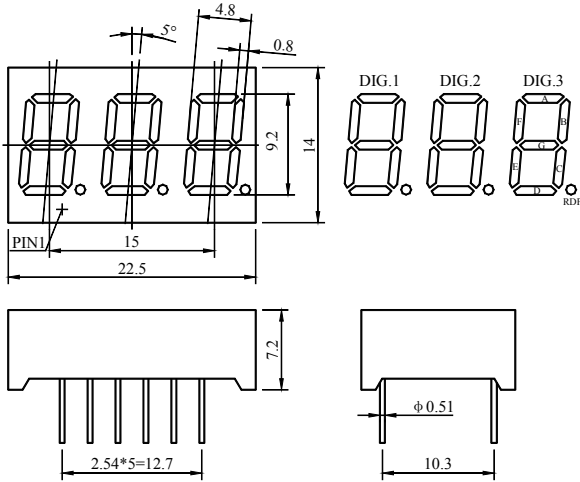


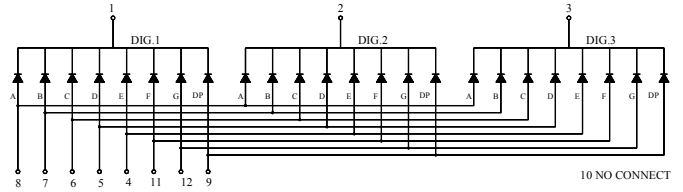


MCD-3031As-Bs (TRIPLE DIGIT LED DISPLAY)

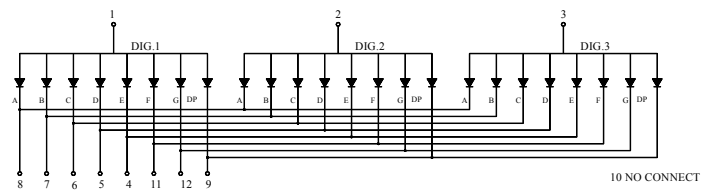
MCD-3031 Series



MCD-3031As



MCD-3031Bs



Features:

*0.30 INCH HIGH CHARACTER.

*EXCELLENT CHARACTER APPEARANCE.

*COMMON CATHODE OR COMMON ANODE.

*I.C. COMPATIBLE.

*LOW POWER CONSUMPTION.

Part Number	EMITTED COLOR		Common Cathode or Common Anode	Peak Wavelength (nm)	Vf (v) Typ	If (mA)	Intensity Per Segment (mcd)	
							Min.	Typ.
MCD-3031AS	GaAlAs	Super Red	Common Cathode	660	1.8	20	4	6
MCD-3031BS	GaAlAs	Super Red	Common Anode	660	1.8	20	4	6