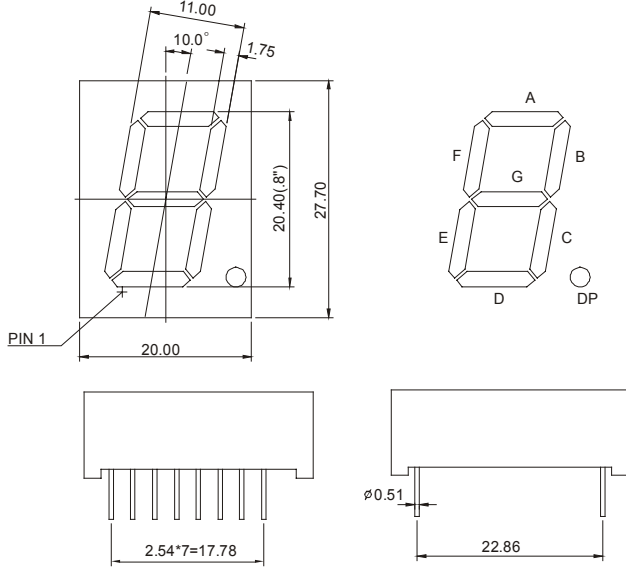


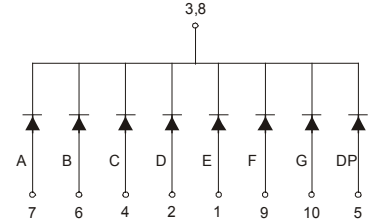


MCD-8012Cx-Dx (SINGLE DIGIT LED DISPLAY)

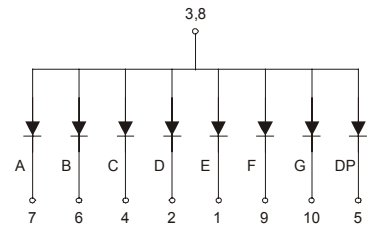
MCD-8012 Series



MCD-8012Cx



MCD_i-8012Dx



Features:

*0.8 INCH HIGH CHARACTER.

*EXCELLENT CHARACTER APPEARANCE.

*COMMON CATHODE OR COMMON ANODE.

*I.C. COMPATIBLE.

*LOW POWER CONSUMPTION.

Part Number	EMITTED COLOR		Common Cathode or Common Anode	Peak Wavelength (nm)	Vf (v) Typ	If (mA)	Intensity Per Segment (mcd)	
							Min.	Typ.
MCD-8012CE	GaAsP/GaP	Hi.effi Red	Common Cathode	635	2.0	20	9	12
MCD-8012CG	GaP	Green		565	2.1	20	8	11
MCD-8012CY	GaAsP/GaP	Yellow		585	2.0	20	9	12
MCD-8012CS	GaAlAs	Super Red		660	1.8	20	10	13
MCD-8012CD	GaAlAs	Ultra Red		660	1.8	20	25	30
MCD-8012CUE	AlGalnP	Ultra Red		625	2.0	20	30	35
MCD-8012CUY	AlGalnP	Ultra Yellow		590	2.0	20	30	35
MCD-8012DE	GaAsP/GaP	Hi.effi Red		Common Anode	635	2.0	20	9
MCD-8012DG	Gap	Green	565		2.1	20	8	11
MCD-8012DY	GaAsP/GaP	Yellow	585		2.0	20	9	12
MCD-8012DS	GaAlAs	Super Red	660		1.8	20	10	13
MCD-8012DD	GaAlAs	Super Red	660		1.8	20	25	30
MCD-8012DUE	AlGalnP	Ultra Red	625		2.0	20	30	35
MCD-8012DUY	AlGalnP	Ultra Yellow	590		2.0	20	30	35