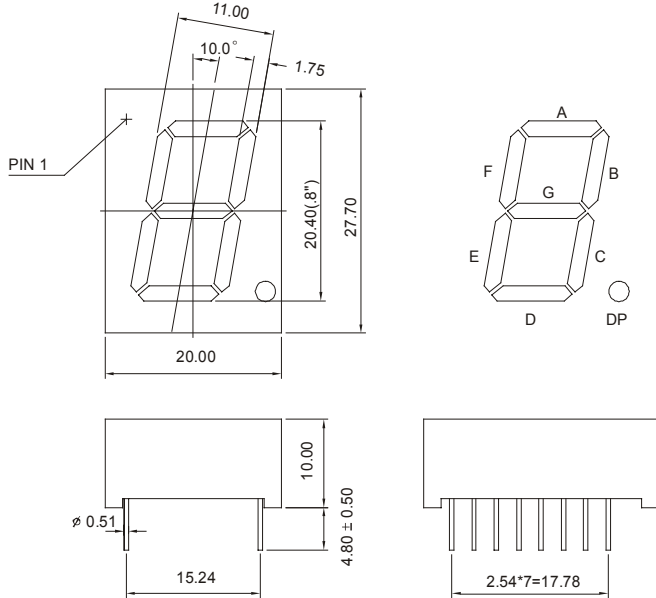


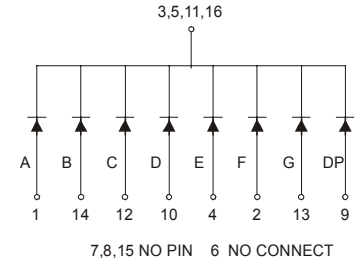


## MCD-8012Ax-Bx (SINGLE DIGIT LED DISPLAY)

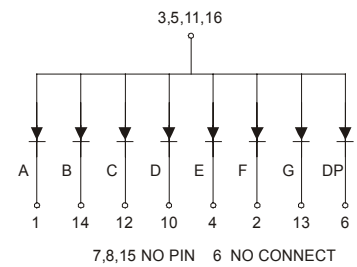
### MCD-8012 Series



### MCD-8012Ax



### MCD-8012Bx



### Features:

\*0.8 INCH HIGH CHARACTER.

\*EXCELLENT CHARACTER APPEARANCE.

\*COMMON CATHODE OR COMMON ANODE.

\*I.C. COMPATIBLE.

\*LOW POWER CONSUMPTION.

Part Number	EMITTED COLOR		Common Cathode or Common Anode	Peak Wavelength (nm)	Vf (v) Typ	If (mA)	Intensity Per Segment (mcd)	
							Min.	Typ.
MCD-8012AE	GaAsP/GaP	Hi. effi Red	Common Cathode	635	2.0	20	9	12
MCD-8012AG	GaP	Green		565	2.1	20	8	11
MCD-8012AY	GaAsP/GaP	Yellow		585	2.0	20	9	12
MCD-8012AS	GaAlAs	Super Red		660	1.8	20	10	13
MCD-8012AD	GaAlAs	Ultra Red		660	1.8	20	25	30
MCD-8012AUE	AlGaInP	Ultra Red		625	2.0	20	30	35
MCD-8012AUY	AlGaInP	Ultra Yellow		590	2.0	20	30	35
MCD-8012BE	GaAsP/GaP	Hi. effi Red		Common Anode	635	2.0	20	9
MCD-8012BG	Gap	Green	565		2.1	20	8	11
MCD-8012BY	GaAsP/GaP	Yellow	585		2.0	20	9	12
MCD-8012BS	GaAlAs	Super Red	660		1.8	20	10	13
MCD-8012BD	GaAlAs	Super Red	660		1.8	20	25	30
MCD-8012BUE	AlGaInP	Ultra Red	625		2.0	20	30	35
MCD-8012BUY	AlGaInP	Ultra Yellow	590		2.0	20	30	35