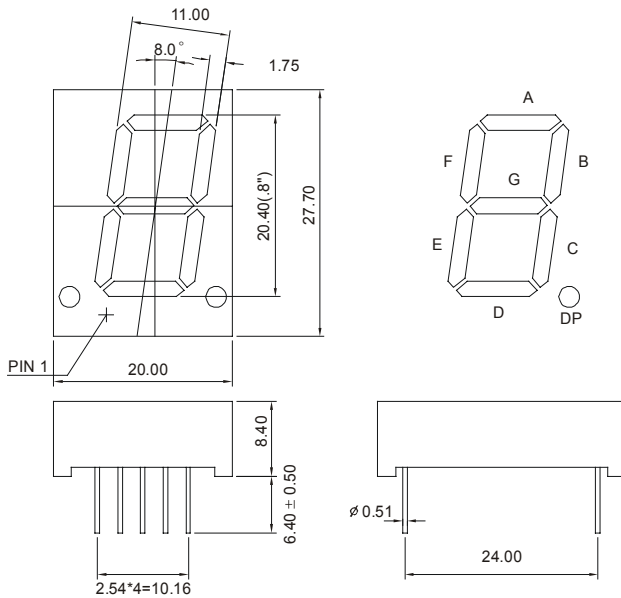


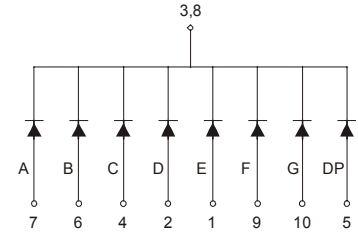


## MCD-8011Cx-Dx (SINGLE DIGIT LED DISPLAY)

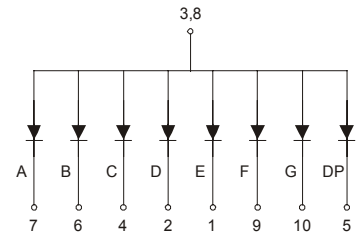
### MCD-8011 Series



### MCD-8011Cx



### MCD-8011Dx



### Features:

\*0.8 INCH HIGH CHARACTER.

\*EXCELLENT CHARACTER APPEARANCE.

\*COMMON CATHODE OR COMMON ANODE.

\*I.C. COMPATIBLE.

\*LOW POWER CONSUMPTION.

Part Number	EMITTED COLOR		Common Cathode or Common Anode	Peak Wavelength (nm)	Vf (v) Typ	If (mA)	Intensity Per Segment (mcd)	
							Min.	Typ.
MCD-8011CE	GaAsP/GaP	Hi.effi Red	Common Cathode	635	2.0	20	9	12
MCD-8011CG	GaP	Green		565	2.1	20	8	11
MCD-8011CY	GaAsP/GaP	Yellow		585	2.0	20	9	12
MCD-8011CS	GaAlAs	Super Red		660	1.8	20	10	13
MCD-8011CD	GaAlAs	Ultra Red		660	1.8	20	25	30
MCD-8011CUE	AlGaInP	Ultra Red		625	2.0	20	30	35
MCD-8011CUY	AlGaInP	Ultra Yellow		590	2.0	20	30	35
MCD-8011DE	GaAsP/GaP	Hi.effi Red		Common Anode	635	2.0	20	9
MCD-8011DG	Gap	Green	565		2.1	20	8	11
MCD-8011DY	GaAsP/GaP	Yellow	585		2.0	20	9	12
MCD-8011DS	GaAlAs	Super Red	660		1.8	20	10	13
MCD-8011DD	GaAlAs	Super Red	660		1.8	20	25	30
MCD-8011DUE	AlGaInP	Ultra Red	625		2.0	20	30	35
MCD-8011DUY	AlGaInP	Ultra Yellow	590		2.0	20	30	35