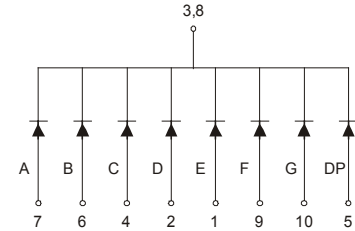
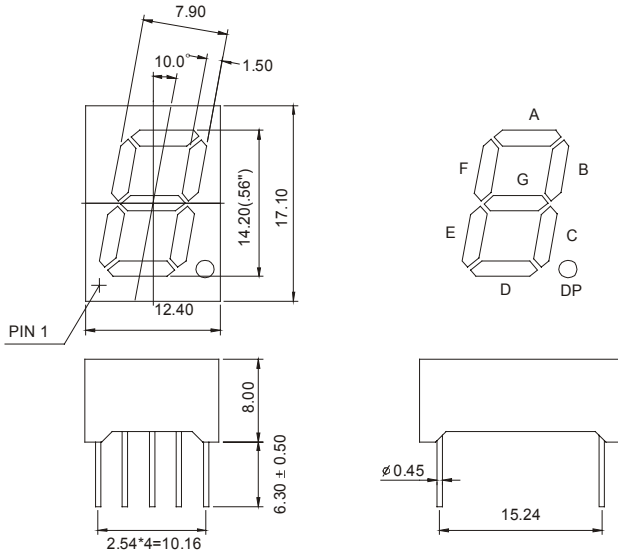




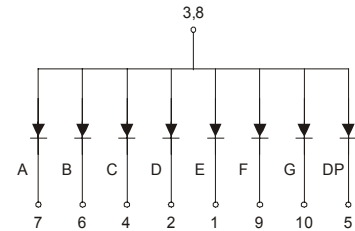
MCD-5613Ax-Bx (SINGLE DIGIT LED DISPLAY)

MCD-5613 Series

MCD-5613Ax



MCD-5613Bx



Features:

*0.56 INCH HIGH CHARACTER.

*I.C. COMPATIBLE.

*EXCELLENT CHARACTER APPEARANCE.

*LOW POWER CONSUMPTION.

*COMMON CATHODE OR COMMON ANODE.

Part Number	EMITTED COLOR		Common Cathode or Common Anode	Peak Wavelength (nm)	Vf (v) Typ	If (mA)	Intensity Per Segment (mcd)	
							Min.	Typ.
MCD-5613AE	GaAsP/GaP	Hi.effi Red	Common Cathode	635	2.0	20	9	12
MCD-5613AG	GaP	Green		565	2.1	20	8	11
MCD-5613AY	GaAsP/GaP	Yellow		585	2.0	20	9	12
MCD-5613AS	GaAlAs	Super Red		660	1.8	20	10	13
MCD-5613AD	GaAlAs	Ultra Red		660	1.8	20	25	30
MCD-5613AUE	AlGalnP	Ultra Red		625	2.0	20	30	35
MCD-5613AUY	AlGalnP	Ultra Yellow		590	2.0	20	30	35
MCD-5613BE	GaAsP/GaP	Hi.effi Red		Common Anode	635	2.0	20	9
MCD-5613BG	GaP	Green	565		2.1	20	8	11
MCD-5613BY	GaAsP/GaP	Yellow	585		2.0	20	9	12
MCD-5613BS	GaAlAs	Super Red	660		1.8	20	10	13
MCD-5613BD	GaAlAs	Ultra Red	660		1.8	20	25	30
MCD-5613BUE	AlGalnP	Ultra Red	625		2.0	20	30	35
MCD-5613BUY	AlGalnP	Ultra Yellow	590		2.0	20	30	35