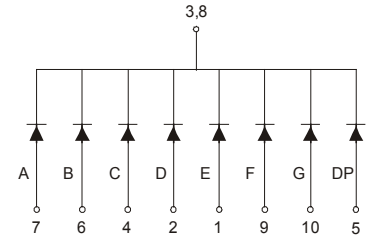
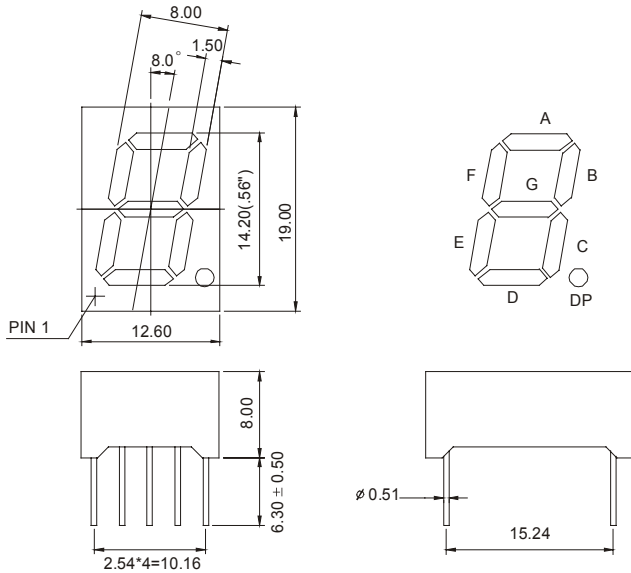




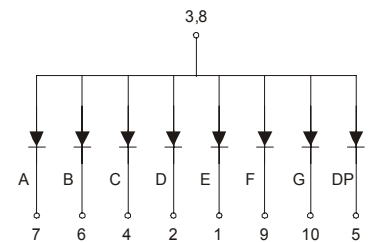
MCD-5612Ax-Bx (SINGLE DIGIT LED DISPLAY)

MCD-5612 Series

MCD-5612Ax



MCD-5612Bx



Features:

*0.56 INCH HIGH CHARACTER.

*I.C. COMPATIBLE.

*EXCELLENT CHARACTER APPEARANCE.

*LOW POWER CONSUMPTION.

*COMMON CATHODE OR COMMON ANODE.

Part Number	EMITTED COLOR		Common Cathode or Common Anode	Peak Wavelength (nm)	Vf (v) Typ	If (mA)	Intensity Per Segment (mcd)	
							Min.	Typ.
MCD-5612AE	GaAsP/GaP	Hi. effi Red	Common Cathode	635	2.0	20	9	12
MCD-5612AG	GaP	Green		565	2.1	20	8	11
MCD-5612AY	GaAsP/GaP	Yellow		585	2.0	20	9	12
MCD-5612AS	GaAlAs	Super Red		660	1.8	20	10	13
MCD-5612AD	GaAlAs	Ultra Red		660	1.8	20	25	30
MCD-5612AUE	AlGaInP	Ultra Red		625	2.0	20	30	35
MCD-5612AUY	AlGaInP	Ultra Yellow		590	2.0	20	30	35
MCD-5612BE	GaAsP/GaP	Hi. effi Red		Common Anode	635	2.0	20	9
MCD-5612BG	GaP	Green	565		2.1	20	8	11
MCD-5612BY	GaAsP/GaP	Yellow	585		2.0	20	9	12
MCD-5612BS	GaAlAs	Super Red	660		1.8	20	10	13
MCD-5612BD	GaAlAs	Ultra Red	660		1.8	20	25	30
MCD-5612BUE	AlGaInP	Ultra Red	625		2.0	20	30	35
MCD-5612BUY	AlGaInP	Ultra Yellow	590		2.0	20	30	35