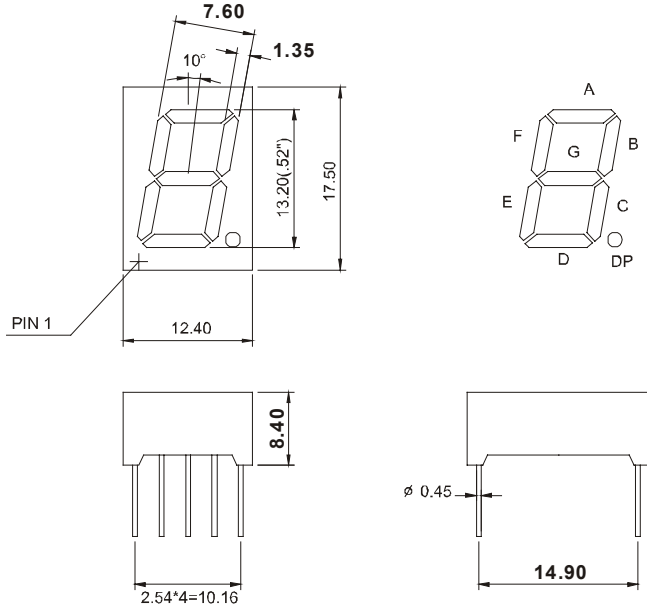


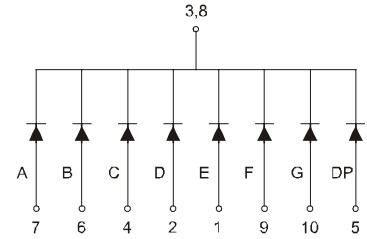


MCD-5213Ax-Bx (SINGLE DIGIT LED DISPLAY)

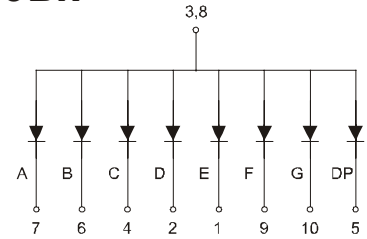
MCD-5213 Series



MCD-5213Ax



MCD-5213Bx



Features:

*0.52 INCH HIGH CHARACTER.

*EXCELLENT CHARACTER APPEARANCE.

*COMMON CATHODE OR COMMON ANODE.

*I.C. COMPATIBLE.

*LOW POWER CONSUMPTION.

Part Number	EMITTED COLOR		Common Cathode or Common Anode	Peak Wavelength (nm)	Vf (v) Typ	If (mA)	Intensity Per Segment (mcd)	
							Min.	Typ.
MCD-5213AE	GaAsP/GaP	Hi.effi Red	Common Cathode	635	2.0	20	9	12
MCD-5213AG	GaP	Green		565	2.1	20	8	11
MCD-5213AY	GaAsP/GaP	Yellow		585	2.0	20	9	12
MCD-5213AS	GaAlAs	Super Red		660	1.8	20	10	13
MCD-5213AD	GaAlAs	Ultra Red		660	1.8	20	25	30
MCD-5213AUE	AlGaInP	Ultra Red		625	2.0	20	30	35
MCD-5213AUY	AlGaInP	Ultra Yellow		590	2.0	20	30	35
MCD-5213BE	GaAsP/GaP	Hi.effi Red		Common Anode	635	2.0	20	9
MCD-5213BG	GaP	Green	565		2.1	20	8	11
MCD-5213BY	GaAsP/GaP	Yellow	585		2.0	20	9	12
MCD-5213BS	GaAlAs	Super Red	660		1.8	20	10	13
MCD-5213BD	GaAlAs	Ultra Red	660		1.8	20	25	30
MCD-5213BUE	AlGaInP	Ultra Red	625		2.0	20	30	35
MCD-5213BUY	AlGaInP	Ultra Yellow	590		2.0	20	30	35