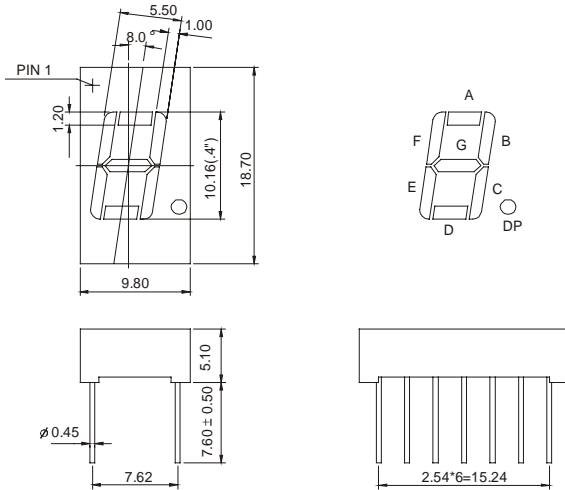


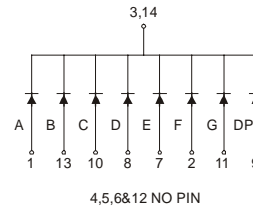


4011Ax-Bx-Ex-Fx (SINGLE DIGIT LED DISPLAY)

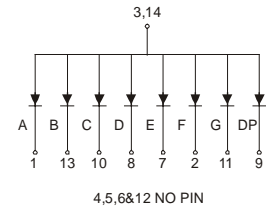
4011 Series



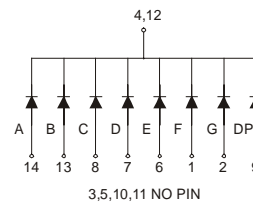
4011Ax



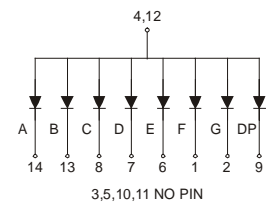
4011Bx



4011Ex



4011Fx



Features:

*0.40 INCH HIGH CHARACTER.

*EXCELLENT CHARACTER APPEARANCE.

*COMMON CATHODE OR COMMON ANODE.

*I.C. COMPATIBLE.

*LOW POWER CONSUMPTION.

Part Number	EMITTED COLOR		Common Cathode or Common Anode	Peak Wavelength (nm)	Vf (v) Typ	If (mA)	Intensity Per Segment (mcd)	
							Min.	Typ.
4011AE	GaAsP/GaP	Hi.effi Red	Common Cathode	635	2.0	20	9	12
4011AG	GaP	Green		565	2.1	20	8	11
4011AY	GaAsP/GaP	Yellow		585	2.0	20	9	12
4011AS	GaAlAs	Super Red		660	1.8	20	10	13
4011AD	GaAlAs	Ultra Red		660	1.8	20	25	30
4011AUE	AlGaInP	Ultra Red		625	2.0	20	30	35
4011AUY	AlGaInP	Ultra Yellow		590	2.0	20	30	35
4011BE	GaAsP/GaP	Hi.effi Red	Common Anode	635	2.0	20	9	12
4011BG	Gap	Green		565	2.1	20	8	11
4011BY	GaAsP/GaP	Yellow		585	2.0	20	9	12
4011BS	GaAlAs	Super Red		660	1.8	20	10	13
4011BD	GaAlAs	Super Red		660	1.8	20	25	30
4011BUE	AlGaInP	Ultra Red		625	2.0	20	30	35
4011BUY	AlGaInP	Ultra Yellow		590	2.0	20	30	35

GNS-4011CE	GaAsP/GaP	Hi.effi Red	Common Cathode	635	2.0	20	9	12
GNS-4011CG	GaP	Green		565	2.1	20	8	11
GNS-4011CY	GaAsP/GaP	Yellow		585	2.0	20	9	12
GNS-4011CS	GaAlAs	Super Red		660	1.8	20	10	13
GNS-4011CD	GaAlAs	Ultra Red		660	1.8	20	25	30
GNS-4011CUE	AlGaInP	Ultra Red		625	2.0	20	30	35
GNS-4011CUY	AlGaInP	Ultra Yellow		590	2.0	20	30	35
GNS-4011DE	GaAsP/GaP	Hi.effi Red	Common Anode	635	2.0	20	9	12
GNS-4011DG	Gap	Green		565	2.1	20	8	11
GNS-4011DY	GaAsP/GaP	Yellow		585	2.0	20	9	12
GNS-4011DS	GaAlAs	Super Red		660	1.8	20	10	13
GNS-4011DD	GaAlAs	Super Red		660	1.8	20	25	30
GNS-4011DUE	AlGaInP	Ultra Red		625	2.0	20	30	35
GNS-4011DUY	AlGaInP	Ultra Yellow		590	2.0	20	30	35