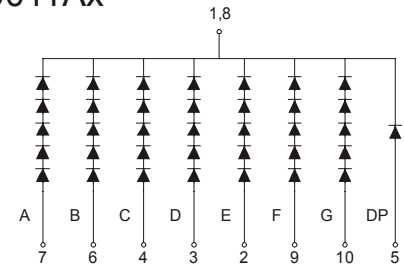
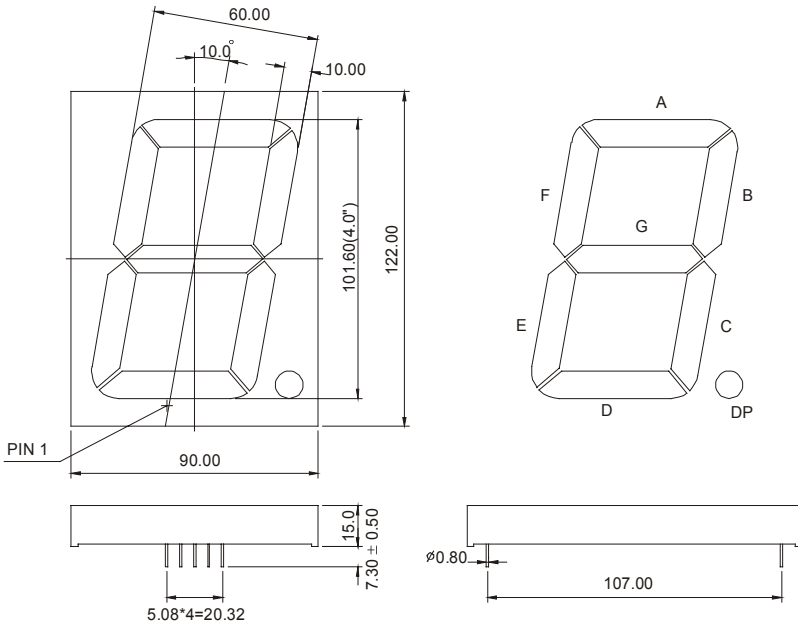




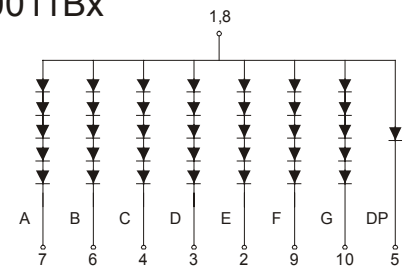
MCD-40011Ax-Bx (SINGLE DIGIT LED DISPLAY)

MCD-40011 Series

MCD-40011Ax



MCD-40011Bx



Features:

*4.0 INCH HIGH CHARACTER.

*I.C. COMPATIBLE

*EXCELLENT CHARACTER APPEARANCE.

*LOW POWER CONSUMPTION.

*COMMON CATHODE OR COMMON ANODE.

Part Number	EMITTED COLOR		Common Cathode or Common Anode	Peak Wavelength (nm)	Vf (v) Typ	If (mA)	Intensity Per Segment (mcd)	
							Min.	Typ.
MCD-40011AE	GaAsP/GaP	Hi. effi Red	Common Cathode	635	2.0	20	45	60
MCD-40011AG	GaP	Green		565	2.1	20	40	55
MCD-40011AY	GaAsP/GaP	Yellow		585	2.0	20	45	60
MCD-40011AS	GaAlAs	Super Red		660	1.8	20	50	65
MCD-40011AD	GaAlAs	Ultras Red		660	1.8	20	125	150
MCD-40011AUE	AlGaInP	Ultra Red		625	2.0	20	150	175
MCD-40011AUY	AlGaInP	Ultra Yellow		590	2.0	20	150	175
MCD-40011BE	GaAsP/GaP	Hi. effi Red	Common Anode	635	2.0	20	45	60
MCD-40011BG	Gap	Green		565	2.1	20	40	55
MCD-40011BY	GaAsP/GaP	Yellow		585	2.0	20	45	60
MCD-40011BS	GaAlAs	Super Red		660	1.8	20	50	65
MCD-40011BD	GaAlAs	Ultras Red		660	1.8	20	125	150
MCD-40011BUE	AlGaInP	Ultra Red		625	2.0	20	150	175
MCD-40011BUY	AlGaInP	Ultra Yellow		590	2.0	20	150	175