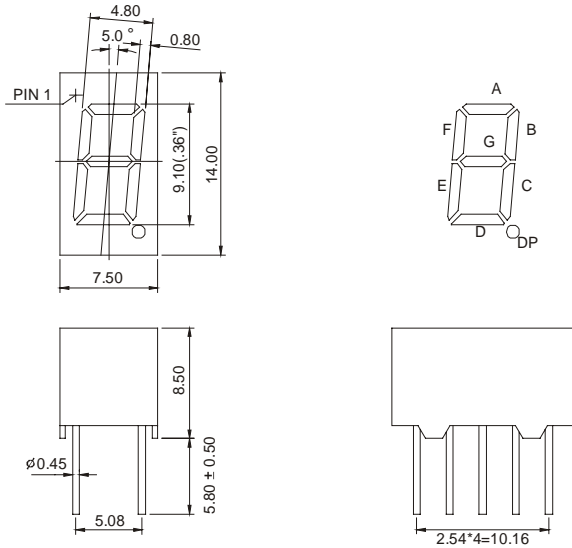


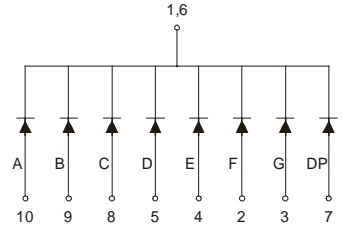


3611Ax-Bx (SINGLE DIGIT LED DISPLAY)

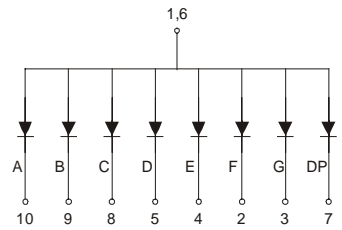
3611 Series



3611Ax



3611Bx



Features:

*0.36 INCH HIGH CHARACTER.

*EXCELLENT CHARACTER APPEARANCE.

*COMMON CATHODE OR COMMON ANODE.

*I.C. COMPATIBLE.

*LOW POWER CONSUMPTION.

Part Number	EMITTED COLOR		Common Cathode or Common Anode	Peak Wavelength (nm)	Vf (v) Typ	If (mA)	Intensity Per Segment (mcd)	
							Min.	Typ.
3611AE	GaAsP/GaP	Hi.effi Red	Common Cathode	635	2.0	20	9	12
3611AG	GaP	Green		565	2.1	20	8	11
3611AY	GaAsP/GaP	Yellow		585	2.0	20	9	12
3611AS	GaAlAs	Super Red		660	1.8	20	10	13
3611AD	GaAlAs	Ultra Red		660	1.8	20	25	30
3611AUE	AlGaInP	Ultra Red		625	2.0	20	30	35
3611AUJ	AlGaInP	Ultra Yellow		590	2.0	20	30	35
3611BE	GaAsP/GaP	Hi.effi Red	Common Anode	635	2.0	20	9	12
3611BG	GaP	Green		565	2.1	20	8	11
3611BY	GaAsP/GaP	Yellow		585	2.0	20	9	12
3611BS	GaAlAs	Super Red		660	1.8	20	10	13
3611BD	GaAlAs	Ultra Red		660	1.8	20	25	30
3611BUE	AlGaInP	Ultra Red		625	2.0	20	30	35
3611BUY	AlGaInP	Ultra Yellow		590	2.0	20	30	35