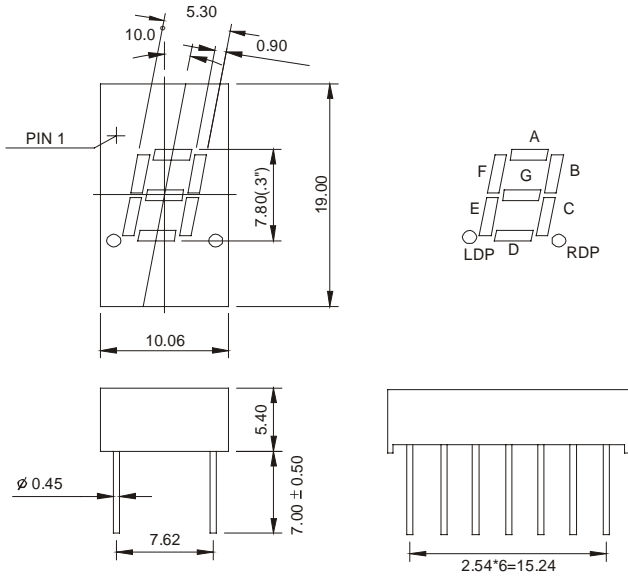


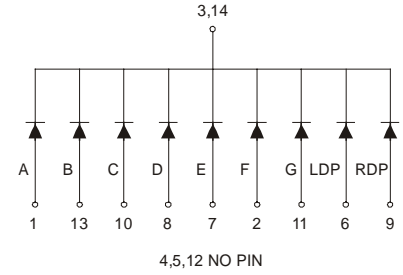


## 3011Ex-Fx (SINGLE DIGIT LED DISPLAY)

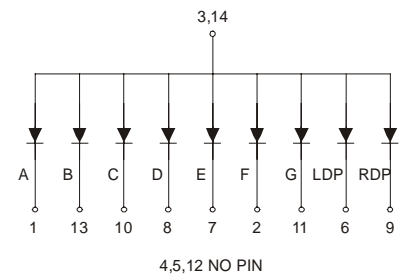
### 3011 Series



### 3011Ex



### 3011Fx



### Features:

\*0.30 INCH HIGH CHARACTER.

\*EXCELLENT CHARACTER APPEARANCE.

\*COMMON CATHODE OR COMMON ANODE.

\*I.C. COMPATIBLE.

\*LOW POWER CONSUMPTION.

Part Number	EMITTED COLOR		Common Cathode or Common Anode	Peak Wavelength (nm)	Vf (v) Typ	If (mA)	Intensity Per Segment (mcd)	
							Min.	Typ.
3011EE	GaAsP/GaP	Hi.effi Red	Common Cathode	635	2.0	20	9	12
3011EG	GaP	Green		565	2.1	20	8	11
3011EY	GaAsP/GaP	Yellow		585	2.0	20	9	12
3011ES	GaAlAs	Super Red		660	1.8	20	10	13
3011ED	GaAlAs	Ultra Red		660	1.8	20	25	30
3011EUE	AlGaInP	Ultra Red		625	2.0	20	30	35
3011EUY	AlGaInP	Ultra Yellow		590	2.0	20	30	35
3011FE	GaAsP/GaP	Hi.effi Red	Common Anode	635	2.0	20	9	12
3011FG	GaP	Green		565	2.1	20	8	11
3011FY	GaAsP/GaP	Yellow		585	2.0	20	9	12
3011FS	GaAlAs	Super Red		660	1.8	20	10	13
3011FD	GaAlAs	Ultra Red		660	1.8	20	25	30
3011FUE	AlGaInP	Ultra Red		625	2.0	20	30	35
3011FUY	AlGaInP	Ultra Yellow		590	2.0	20	30	35