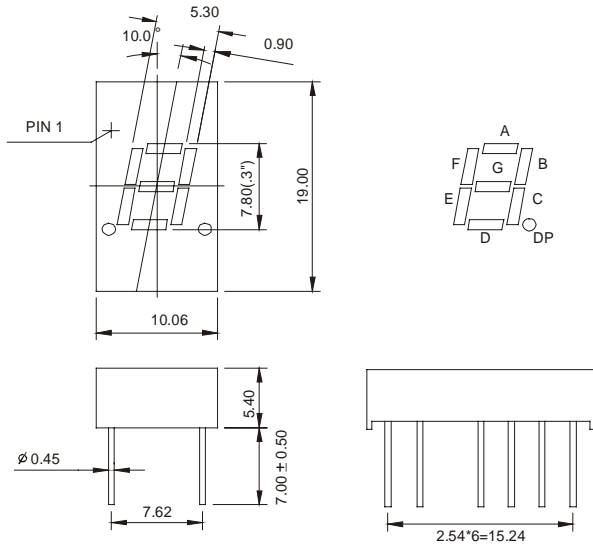


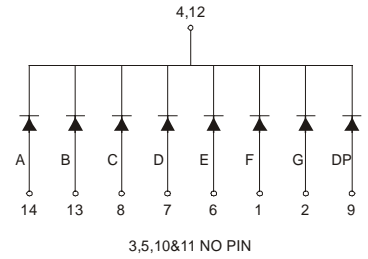


3011Cx-Dx (SINGLE DIGIT LED DISPLAY)

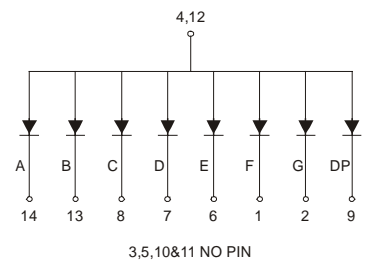
3011 Series



3011 Cx



3011 Dx



Features:

*0.30 INCH HIGH CHARACTER.

*EXCELLENT CHARACTER APPEARANCE.

*COMMON CATHODE OR COMMON ANODE.

*I.C. COMPATIBLE.

*LOW POWER CONSUMPTION.

Part Number	EMITTED COLOR		Common Cathode or Common Anode	Peak Wavelength (nm)	Vf (v) Typ	If (mA)	Intensity Per Segment (mcd)	
							Min.	Typ.
3011CE	GaAsP/GaP	Hi.effi Red	Common Cathode	635	2.0	20	9	12
3011CG	GaP	Green		565	2.1	20	8	11
3011CY	GaAsP/GaP	Yellow		585	2.0	20	9	12
3011CS	GaAlAs	Super Red		660	1.8	20	10	13
3011CD	GaAlAs	Ultra Red		660	1.8	20	25	30
3011CUE	AlGalnP	Ultra Red		625	2.0	20	30	35
3011CUY	AlGalnP	Ultra Yellow		590	2.0	20	30	35
3011DE	GaAsP/GaP	Hi.effi Red	Common Anode	635	2.0	20	9	12
3011DG	GaP	Green		565	2.1	20	8	11
3011DY	GaAsP/GaP	Yellow		585	2.0	20	9	12
3011DS	GaAlAs	Super Red		660	1.8	20	10	13
3011DD	GaAlAs	Ultra Red		660	1.8	20	25	30
3011DUE	AlGalnP	Ultra Red		625	2.0	20	30	35
3011DUY	AlGalnP	Ultra Yellow		590	2.0	20	30	35