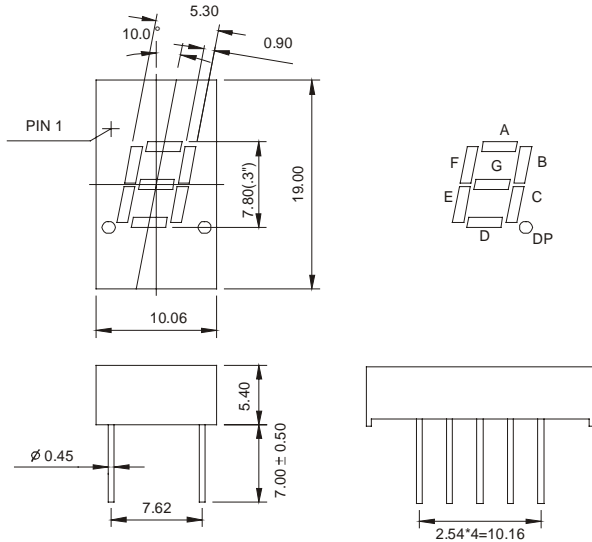


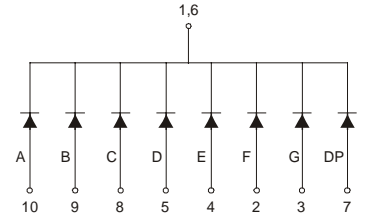


3011Ax-Bx (SINGLE DIGIT LED DISPLAY)

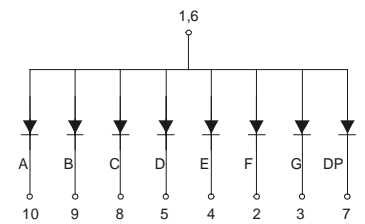
3011 Series



3011 Ax



3011 Bx



Features:

*0.30 INCH HIGH CHARACTER.

*EXCELLENT CHARACTER APPEARANCE.

*COMMON CATHODE OR COMMON ANODE.

*I.C. COMPATIBLE.

*LOW POWER CONSUMPTION.

Part Number	EMITTED COLOR		Common Cathode or Common Anode	Peak Wavelength (nm)	Vf (v) Typ	If (mA)	Intensity Per Segment (mcd)	
							Min.	Typ.
3011AE	GaAsP/GaP	Hi.effi Red	Common Cathode	635	2.0	20	9	12
3011AG	GaP	Green		565	2.1	20	8	11
3011AY	GaAsP/GaP	Yellow		585	2.0	20	9	12
3011AS	GaAlAs	Super Red		660	1.8	20	10	13
3011AD	GaAlAs	Ultra Red		660	1.8	20	25	30
3011AUE	AlGalnP	Ultra Red		625	2.0	20	30	35
3011AUY	AlGalnP	Ultra Yellow		590	2.0	20	30	35
3011BE	GaAsP/GaP	Hi.effi Red		Common Anode	635	2.0	20	9
3011BG	GaP	Green	565		2.1	20	8	11
3011BY	GaAsP/GaP	Yellow	585		2.0	20	9	12
3011BS	GaAlAs	Super Red	660		1.8	20	10	13
3011BD	GaAlAs	Ultra Red	660		1.8	20	25	30
3011BUE	AlGalnP	Ultra Red	625		2.0	20	30	35
3011BUY	AlGalnP	Ultra Yellow	590		2.0	20	30	35