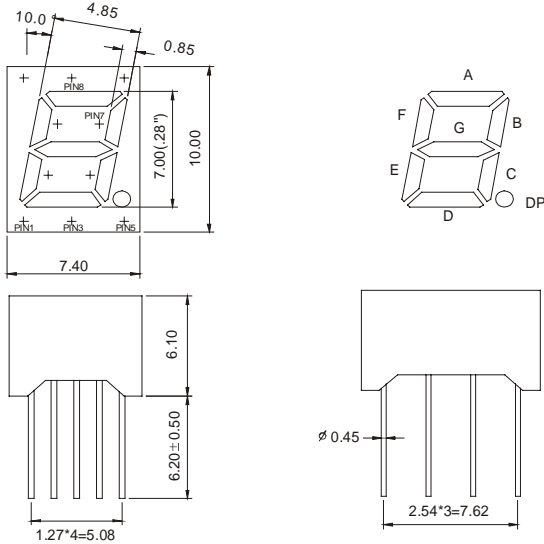


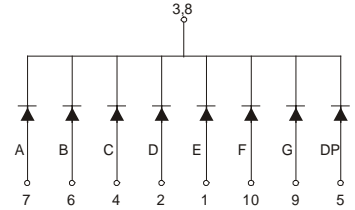


2811Ax-Bx (SINGLE DIGIT LED DISPLAY)

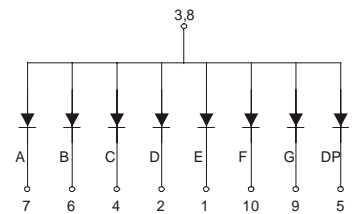
2811 Series



2811 Ax



2811 Bx



Features:

*0.28 INCH HIGH CHARACTER.

*EXCELLENT CHARACTER APPEARANCE.

*COMMON CATHODE OR COMMON ANODE.

*I.C. COMPATIBLE.

*LOW POWER CONSUMPTION.

Part Number	EMITTED COLOR		Common Cathode or Common Anode	Peak Wavelength (nm)	Vf (v) Typ	If (mA)	Intensity Per Segment (mcd)	
							Min.	Typ.
2811AE	GaAsP/GaP	Hi.effi Red	Common Cathode	635	2.0	20	9	12
2811AG	GaP	Green		565	2.1	20	8	11
2811AY	GaAsP/GaP	Yellow		585	2.0	20	9	12
2811AS	GaAlAs	Super Red		660	1.8	20	10	13
2811AD	GaAlAs	Ultra Red		660	1.8	20	25	30
2811AUE	AlGalnP	Ultra Red		625	2.0	20	30	35
2811AUY	AlGalnP	Ultra Yellow		590	2.0	20	30	35
2811BE	GaAsP/GaP	Hi.effi Red	Common Anode	635	2.0	20	9	12
2811BG	GaP	Green		565	2.1	20	8	11
2811BY	GaAsP/GaP	Yellow		585	2.0	20	9	12
2811BS	GaAlAs	Super Red		660	1.8	20	10	13
2811BD	GaAlAs	Ultra Red		660	1.8	20	25	30
2811BUE	AlGalnP	Ultra Red		625	2.0	20	30	35
2811BUY	AlGalnP	Ultra Yellow		590	2.0	20	30	35