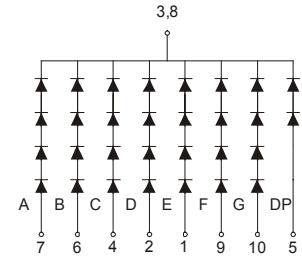
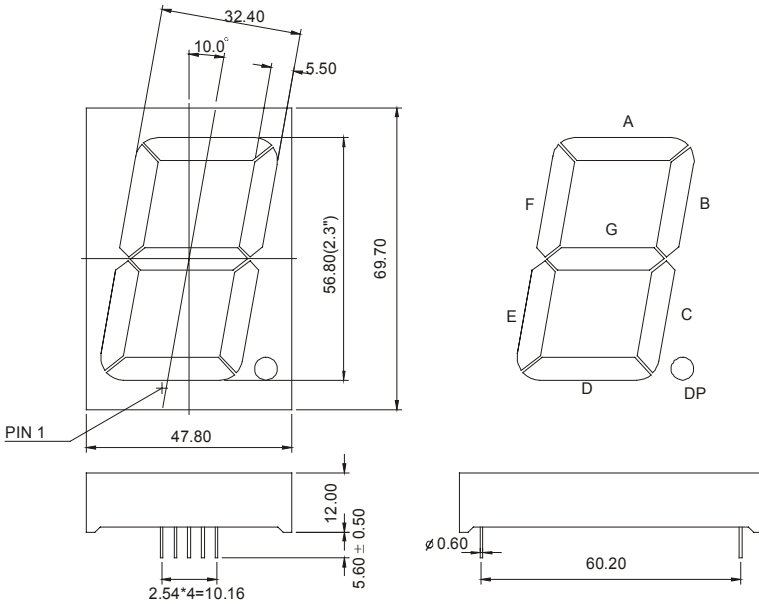




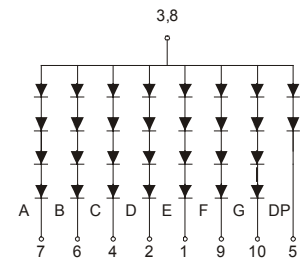
MCD-23011Cx-Dx (SINGLE DIGIT LED DISPLAY)

MCD-23011 Series

MCD-23011Cx



MCD-23011Dx



Features:

*2.3INCH HIGH CHARACTER.

*I.C. COMPATIBLE.

*EXCELLENT CHARACTER APPEARANCE.

*LOW POWER CONSUMPTION.

*COMMON CATHODE OR COMMON ANODE.

| Part Number | EMITTED COLOR | | Common Cathode or Common Anode | Peak Wavelength (nm) | Vf (v) Typ | If (mA) | Intensity Per Segment (mcd) | |
|--------------|---------------|--------------|--------------------------------|----------------------|------------|---------|-----------------------------|------|
| | | | | | | | Min. | Typ. |
| MCD-23011CE | GaAsP/GaP | Hi.effi Red | Common Cathode | 635 | 2.0 | 20 | 36 | 48 |
| MCD-23011CG | GaP | Green | | 565 | 2.1 | 20 | 32 | 44 |
| MCD-23011CY | GaAsP/GaP | Yellow | | 585 | 2.0 | 20 | 36 | 48 |
| MCD-23011CS | GaAlAs | Super Red | | 660 | 1.8 | 20 | 40 | 52 |
| MCD-23011CD | GaAlAs | Ultra Red | | 660 | 1.8 | 20 | 100 | 120 |
| MCD-23011CUE | AlGalnP | Ultra Red | | 625 | 2.0 | 20 | 120 | 140 |
| MCD-23011CUY | AlGalnP | Ultra Yellow | | 590 | 2.0 | 20 | 120 | 140 |
| MCD-23011DE | GaAsP/GaP | Hi.effi Red | Common Anode | 635 | 2.0 | 20 | 36 | 48 |
| MCD-23011DG | GaP | Green | | 565 | 2.1 | 20 | 32 | 44 |
| MCD-23011DY | GaAsP/GaP | Yellow | | 585 | 2.0 | 20 | 36 | 48 |
| MCD-23011DS | GaAlAs | Super Red | | 660 | 1.8 | 20 | 40 | 52 |
| MCD-23011DD | GaAlAs | Ultra Red | | 660 | 1.8 | 20 | 100 | 120 |
| MCD-23011DUE | AlGalnP | Ultra Red | | 625 | 2.0 | 20 | 120 | 140 |
| MCD-23011DUY | AlGalnP | Ultra Yellow | | 590 | 2.0 | 20 | 120 | 140 |