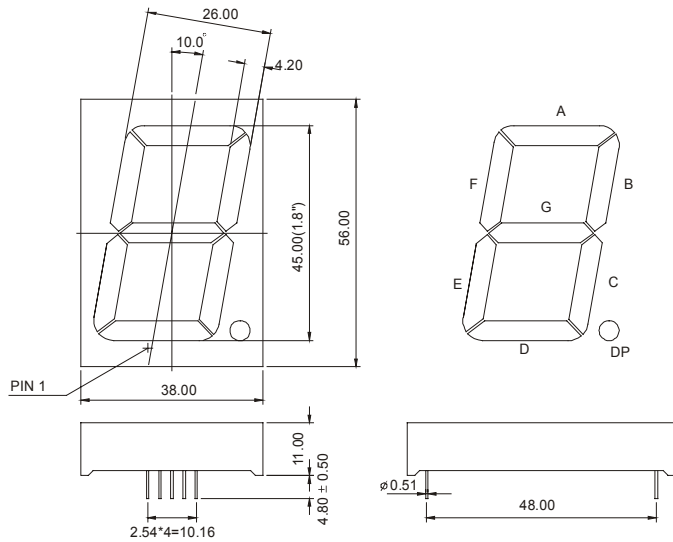


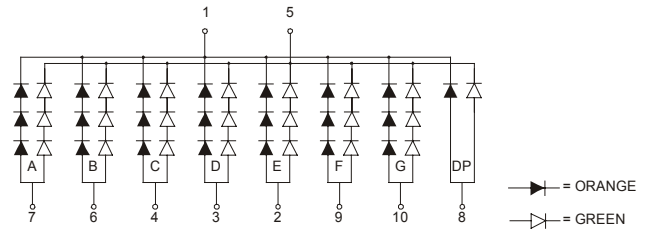


## MCD -18011Axx-Bxx (SINGLE DIGIT LED DISPLAY)

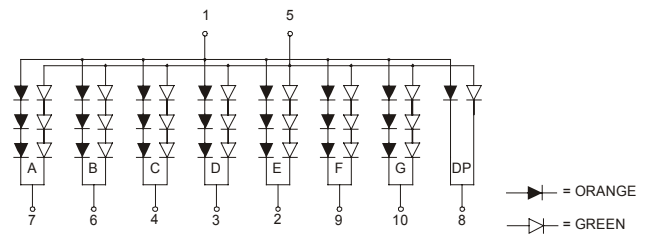
### MCD-18011 series



### MCD-18011AEG



### MCD-18011BEG



### Features:

\*1.8 INCH HIGH CHARACTER.

\*EXCELLENT CHARACTER APPEARANCE.

\*COMMON CATHODE OR COMMON ANODE.

\*I.C. COMPATIBLE

\*LOW POWER CONSUMPTION.

Part Number	EMITTED COLOR		Common Cathode or Common Anode	Peak Wavelength (nm)	Vf (v) Typ	If (mA)	Intensity Per Segment (mcd)	
							Min.	Typ.
MCD-18011ASG	GaAlAs	Super Red	Common Cathode	660	1.8	20	30	39
	Gap	Green		565	2.1	20	24	33
MCD-18011AEG	GaAsP	Hi.effi Red		635	2.0	20	27	36
	Gap	Green		565	2.1	20	24	33
MCD-18011BSG	GaAlAs	Super Red	Common Anode	660	1.8	20	30	39
	Gap	Green		565	2.1	20	24	33
MCD-18011BEG	GaAsP	Hi.effi Red		635	2.0	20	27	36
	Gap	Green		565	2.1	20	24	33