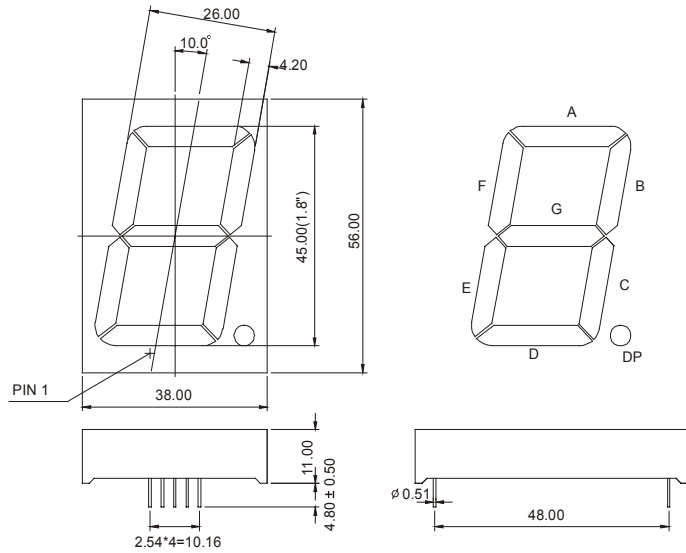


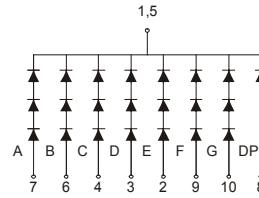


## MCD-18011Ax-Bx-Cx-Dx (SINGLE DIGIT LED DISPLAY)

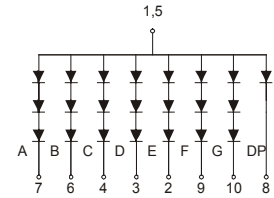
### MCD-18011 series



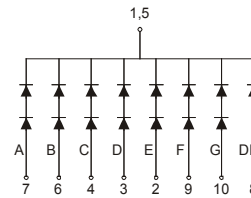
### MCD-18011Ax



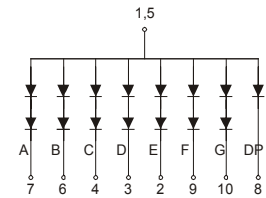
### MCD-18011Bx



### MCD-18011Cx



### MCD-18011Dx



### Features:

\*1.8 INCH HIGH CHARACTER.

\*EXCELLENT CHARACTER APPEARANCE.

\*COMMON CATHODE OR COMMON ANODE.

\*I.C. COMPATIBLE.

\*LOW POWER CONSUMPTION.

Part Number	EMITTED COLOR		Common Cathode or Common Anode	Peak Wavelength (nm)	Vf (v) Typ	If (mA)	Intensity Per Segment (mcd)	
							Min.	Typ.
MCD-18011AE	GaAsP/GaP	Hi.effi Red	Common Cathode	635	2.0	20	27	36
MCD-18011AG	GaP	Green		565	2.1	20	24	33
MCD-18011AY	GaAsP/GaP	Yellow		585	2.0	20	27	36
MCD-18011AS	GaAlAs	Super Red		660	1.8	20	30	39
MCD-18011AD	GaAlAs	Ultra Red		660	1.8	20	75	90
MCD-18011AUE	AlGalnP	Ultra Red		625	2.0	20	90	105
MCD-18011AUY	AlGalnP	Ultra Yellow		590	2.0	20	90	105
MCD-18011BE	GaAsP/GaP	Hi.effi Red	Common Anode	635	2.0	20	27	36
MCD-18011BG	Gap	Green		565	2.1	20	24	33
MCD-18011BY	GaAsP/GaP	Yellow		585	2.0	20	27	36
MCD-18011BS	GaAlAs	Super Red		660	1.8	20	30	39
MCD-18011BD	GaAlAs	Super Red		660	1.8	20	75	90
MCD-18011BUE	AlGalnP	Ultra Red		625	2.0	20	90	105
MCD-18011BUY	AlGalnP	Ultra Yellow		590	2.0	20	90	105