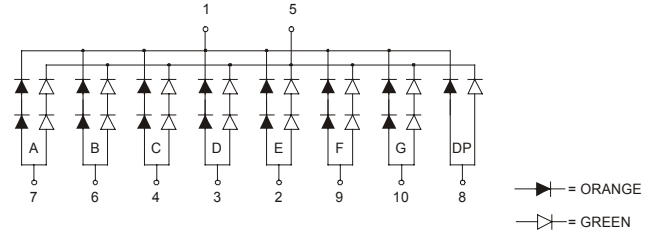
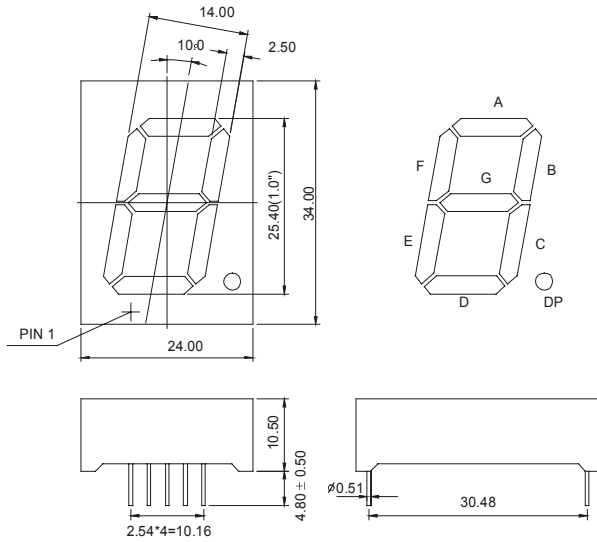




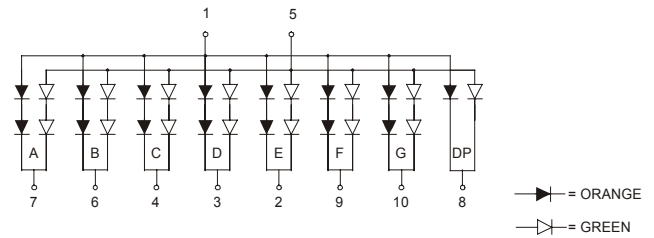
MCD -10012Axx-Bxx (SINGLE DIGIT LED DISPLAY)

MCD-10012 Series

MCD-10012AEG



MCD-10012BEG



Features:

*1.0 INCH HIGH CHARACTER.

*EXCELLENT CHARACTER APPEARANCE.

*COMMON CATHODE OR COMMON ANODE.

*I.C. COMPATIBLE

*LOW POWER CONSUMPTION.

Part Number	EMITTED COLOR		Common Cathode or Common Anode	Peak Wavelength (nm)	Vf (v) Typ	If (mA)	Intensity Per Segment (mcd)		
							Min.	Typ.	
MCD-10012ASG	GaAlAs	Super Red	Common Cathode	660	1.8	20	20	26	
	Gap	Green		565	2.1	20	16	22	
MCD-10012AEG	GaAsP	Hi.effi Red		635	2.0	20	18	24	
	Gap	Green		565	2.1	20	16	22	
MCD-10012BSG	GaAlAs	Super Red		Common Anode	660	1.8	20	20	26
	Gap	Green			565	2.1	20	16	22
MCD-10012BEG	GaAsP	Hi.effi Red	635		2.0	20	18	24	
	Gap	Green	565		2.1	20	16	22	