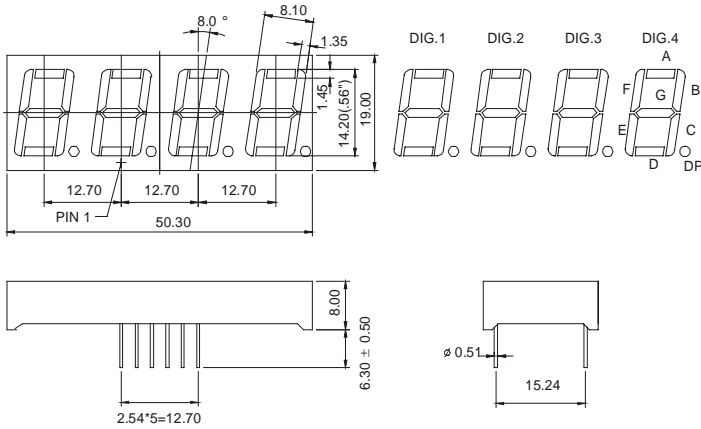


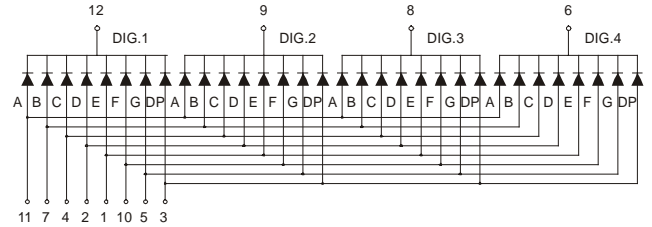


5641Ax-Bx (QUAD DIGIT LED DISPLAY)

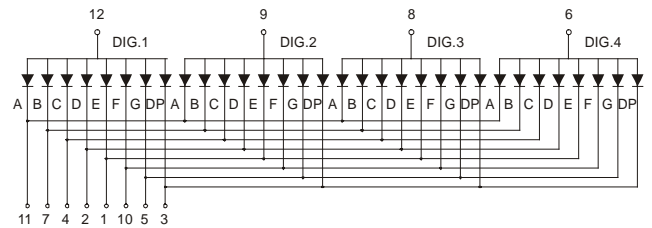
5641 Series



5641Ax



5641Bx



Features:

*0.56 INCH HIGH CHARACTER.

*EXCELLENT CHARACTER APPEARANCE.

*COMMON CATHODE OR COMMON ANODE.

*I.C. COMPATIBLE.

*LOW POWER CONSUMPTION.

Part Number	EMITTED COLOR		Common Cathode or Common Anode	Peak Wavelength (nm)	Vf (v) Typ	If (mA)	Intensity Per Segment (mcd)	
							Min.	Typ.
5641AE	GaAsP/GaP	Hi. effi Red	Common Cathode	635	2.0	20	9	12
5641AG	GaP	Green		565	2.1	20	8	11
5641AY	GaAsP/GaP	Yellow		585	2.0	20	9	12
5641AS	GaAlAs	Super Red		660	1.8	20	10	13
5641AD	GaAlAs	Ultra Red		660	1.8	20	25	30
5641AUE	AlGaInP	Ultra Red		625	2.0	20	30	35
5641AUY	AlGaInP	Ultra Yellow		590	2.0	20	30	35
5641BE	GaAsP/GaP	Hi. effi Red	Common Anode	635	2.0	20	9	12
5641BG	GaP	Green		565	2.1	20	8	11
5641BY	GaAsP/GaP	Yellow		585	2.0	20	9	12
5641BS	GaAlAs	Super Red		660	1.8	20	10	13
5641BD	GaAlAs	Ultra Red		660	1.8	20	25	30
5641BUE	AlGaInP	Ultra Red		625	2.0	20	30	35
5641BUY	AlGaInP	Ultra Yellow		590	2.0	20	30	35