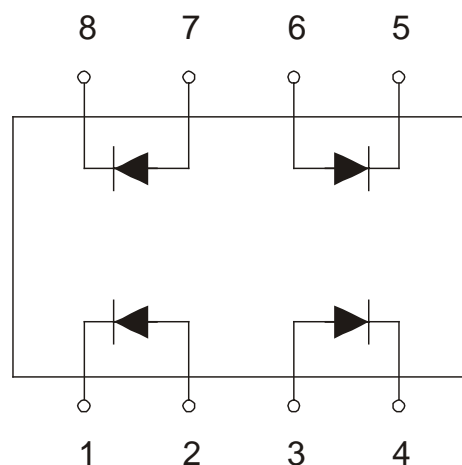
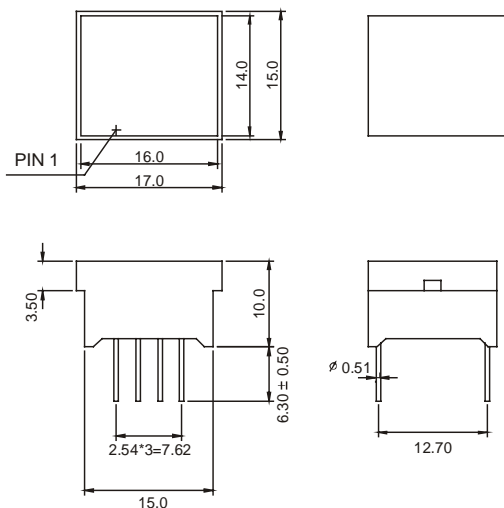




MCD- R1715Zx

MCD-R1715 Series

MCD-R1715Zx



Part Number	EMITTED COLOR		Common Cathode or Common Anode	Peak Wavelength (nm)	Vf (v) Typ	If (mA)	Intensity Per Block (mcd)	
							Min.	Typ.
R1715ZE	GaAsP/GaP	Hi.effi Red	Common Cathode	635	10-20	20	36	48
R1715ZG	GaP	Green		565	10-20	20	32	44
R1715ZY	GaAsP/GaP	Yellow		585	10-20	20	36	48
R1715ZS	GaAlAs	Super Red		660	10-20	20	40	52
R1715ZD	GaAlAs	Ultra Red		660	10-20	20	100	120
R1715ZUE	AlGaInP	Ultra Red		625	10-20	20	120	140
R1715ZUY	AlGaInP	Ultra Yellow		590	10-20	20	120	140