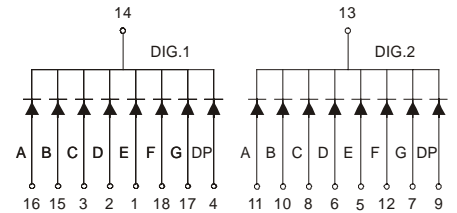
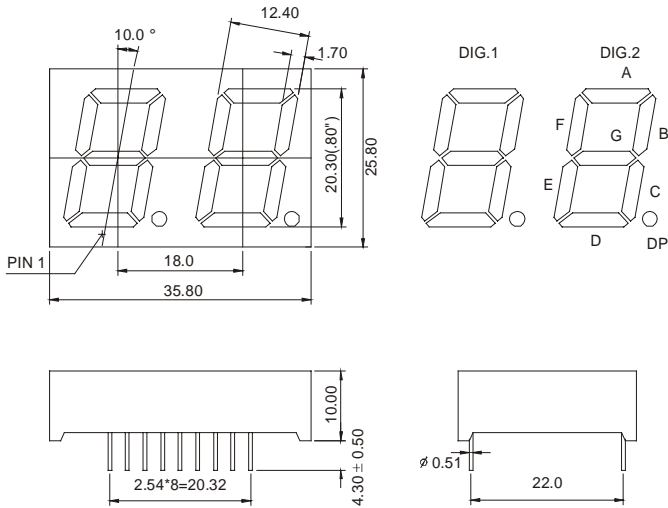




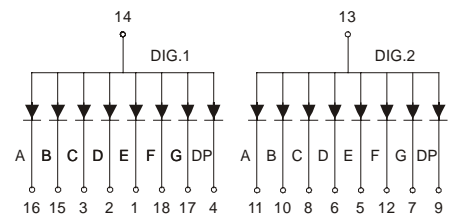
MCD-8021Cx-Dx (DUAL DIGIT LED DISPLAY)

MCD-8021 Series

MCD-8021Cx



MCD-8021Dx



Features:

*0.8 INCH HIGH CHARACTER.

*EXCELLENT CHARACTER APPEARANCE.

*COMMON CATHODE OR COMMON ANODE.

*I.C. COMPATIBLE.

*LOW POWER CONSUMPTION.

Part Number	EMITTED COLOR		Common Cathode or Common Anode	Peak Wavelength (nm)	Vf (v) Typ	If (mA)	Intensity Per Segment (mcd)	
							Min.	Typ.
MCD-8021CE	GaAsP/GaP	Hi.effi Red	Common Cathode	635	2.0	20	9	12
MCD-8021CG	GaP	Green		565	2.1	20	8	11
MCD-8021CY	GaAsP/GaP	Yellow		585	2.0	20	9	12
MCD-8021CS	GaAlAs	Super Red		660	1.8	20	10	13
MCD-8021CD	GaAlAs	Ultra Red		660	1.8	20	25	30
MCD-8021CUE	AlGaInP	Ultra Red		625	2.0	20	30	35
MCD-8021CUY	AlGaInP	Ultra Yellow		590	2.0	20	30	35
MCD-8021DE	GaAsP/GaP	Hi.effi Red	Common Anode	635	2.0	20	9	12
MCD-8021DG	GaP	Green		565	2.1	20	8	11
MCD-8021DY	GaAsP/GaP	Yellow		585	2.0	20	9	12
MCD-8021DS	GaAlAs	Super Red		660	1.8	20	10	13
MCD-8021DD	GaAlAs	Ultra Red		660	1.8	20	25	30
MCD-8021DUE	AlGaInP	Ultra Red		625	2.0	20	30	35
MCD-8021DUY	AlGaInP	Ultra Yellow		590	2.0	20	30	35