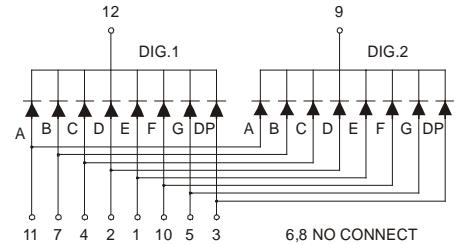
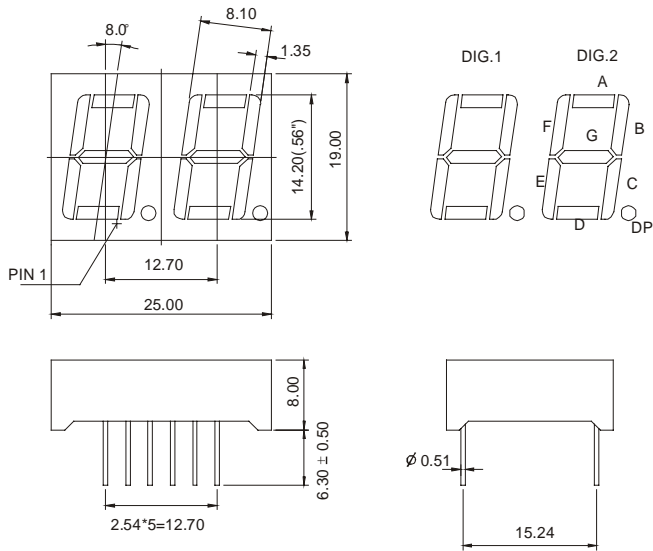




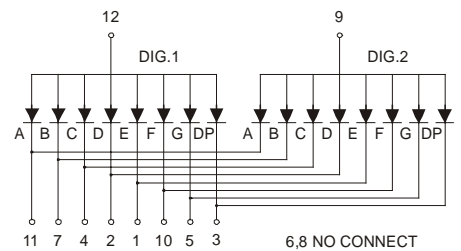
## MCD-5621Cx-Dx (DUAL DIGIT LED DISPLAY)

### MCD-5621 Series

### MCD-5621Cx



### MCD-5621Dx



### Features:

\*0.56 INCH HIGH CHARACTER.

\*EXCELLENT CHARACTER APPEARANCE.

\*COMMON CATHODE OR COMMON ANODE.

\*I.C. COMPATIBLE.

\*LOW POWER CONSUMPTION.

Part Number	EMITTED COLOR		Common Cathode or Common Anode	Peak Wavelength (nm)	Vf (v) Typ	If (mA)	Intensity Per Segment (mcd)	
							Min.	Typ.
MCD-5621CE	GaAsP/GaP	Hi.effi Red	Common Cathode	635	2.0	20	9	12
MCD-5621CG	GaP	Green		565	2.1	20	8	11
MCD-5621CY	GaAsP/GaP	Yellow		585	2.0	20	9	12
MCD-5621CS	GaAlAs	Super Red		660	1.8	20	10	13
MCD-5621CD	GaAlAs	Ultra Red		660	1.8	20	25	30
MCD-5621CUE	AlGaInP	Ultra Red		625	2.0	20	30	35
MCD-5621CUY	AlGaInP	Ultra Yellow		590	2.0	20	30	35
MCD-5621DE	GaAsP/GaP	Hi.effi Red	Common Anode	635	2.0	20	9	12
MCD-5621DG	GaP	Green		565	2.1	20	8	11
MCD-5621DY	GaAsP/GaP	Yellow		585	2.0	20	9	12
MCD-5621DS	GaAlAs	Super Red		660	1.8	20	10	13
MCD-5621DD	GaAlAs	Ultra Red		660	1.8	20	25	30
MCD-5621DUE	AlGaInP	Ultra Red		625	2.0	20	30	35
MCD-5621DUY	AlGaInP	Ultra Yellow		590	2.0	20	30	35