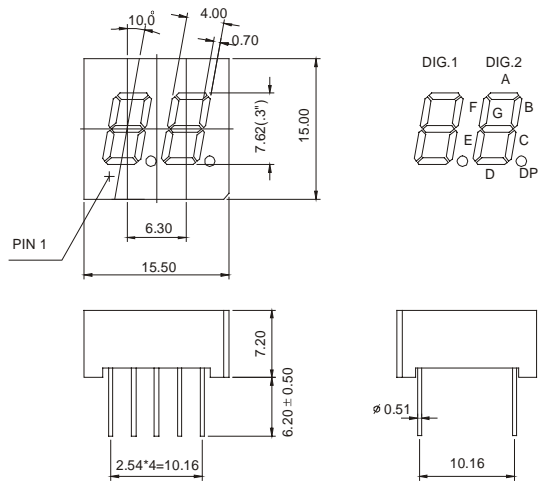


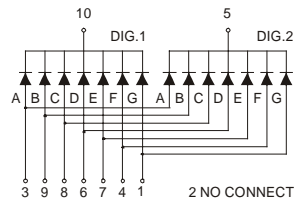


## MCD-3021Ax-Bx-Cx-Dx (DUAL DIGIT LED DISPLAY)

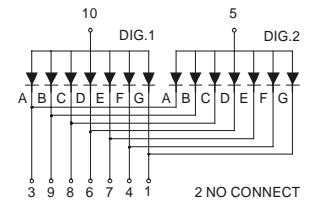
### MCD-3021 Series



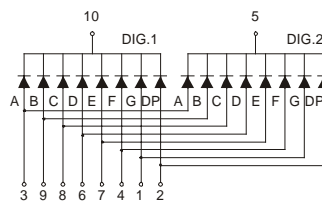
### MCD-3021Ax



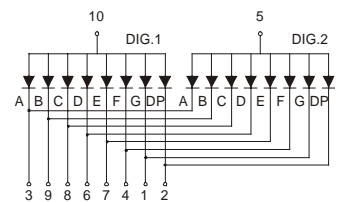
### MCD-3021Bx



### MCD-3021Cx



### MCD-3021Dx



### Features:

\*0.30 INCH HIGH CHARACTER.

\*EXCELLENT CHARACTER APPEARANCE.

\*COMMON CATHODE OR COMMON ANODE.

\*I.C. COMPATIBLE.

\*LOW POWER CONSUMPTION.

Part Number	EMITTED COLOR		Common Cathode or Common Anode	Peak Wavelength (nm)	Vf (v) Typ	If (mA)	Intensity Per Segment (mcd)	
							Min.	Typ.
MCD-3021AE	GaAsP/GaP	Hi.effi Red	Common Cathode	635	2.0	20	9	12
MCD-3021AG	GaP	Green		565	2.1	20	8	11
MCD-3021AY	GaAsP/GaP	Yellow		585	2.0	20	9	12
MCD-3021AS	GaAlAs	Super Red		660	1.8	20	10	13
MCD-3021AD	GaAlAs	Ultra Red		660	1.8	20	25	30
MCD-3021AUE	AlGaInP	Ultra Red		625	2.0	20	30	35
MCD-3021AUY	AlGaInP	Ultra Yellow		590	2.0	20	30	35
MCD-3021BE	GaAsP/GaP	Hi.effi Red	Common Anode	635	2.0	20	9	12
MCD-3021BG	Gap	Green		565	2.1	20	8	11
MCD-3021BY	GaAsP/GaP	Yellow		585	2.0	20	9	12
MCD-3021BS	GaAlAs	Super Red		660	1.8	20	10	13
MCD-3021BD	GaAlAs	Super Red		660	1.8	20	25	30
MCD-3021BUE	AlGaInP	Ultra Red		625	2.0	20	30	35
MCD-3021BUY	AlGaInP	Ultra Yellow		590	2.0	20	30	35

GND-3021CE	GaAsP/GaP	Hi.effi Red	Common Cathode	635	2.0	20	9	12
GND-3021CG	GaP	Green		565	2.1	20	8	11
GND-3021CY	GaAsP/GaP	Yellow		585	2.0	20	9	12
GND-3021CS	GaAlAs	Super Red		660	1.8	20	10	13
GND-3021CD	GaAlAs	Ultra Red		660	1.8	20	25	30
GND-3021CUE	AlGaInP	Ultra Red		625	2.0	20	30	35
GND-3021CUY	AlGaInP	Ultra Yellow		590	2.0	20	30	35
GND-3021DE	GaAsP/GaP	Hi.effi Red		Common Anode	635	2.0	20	9
GND-3021DG	Gap	Green	565		2.1	20	8	11
GND-3021DY	GaAsP/GaP	Yellow	585		2.0	20	9	12
GND-3021DS	GaAlAs	Super Red	660		1.8	20	10	13
GND-3021DD	GaAlAs	Super Red	660		1.8	20	25	30
GND-3021DUE	AlGaInP	Ultra Red	625		2.0	20	30	35
GND-3021DUY	AlGaInP	Ultra Yellow	590		2.0	20	30	35